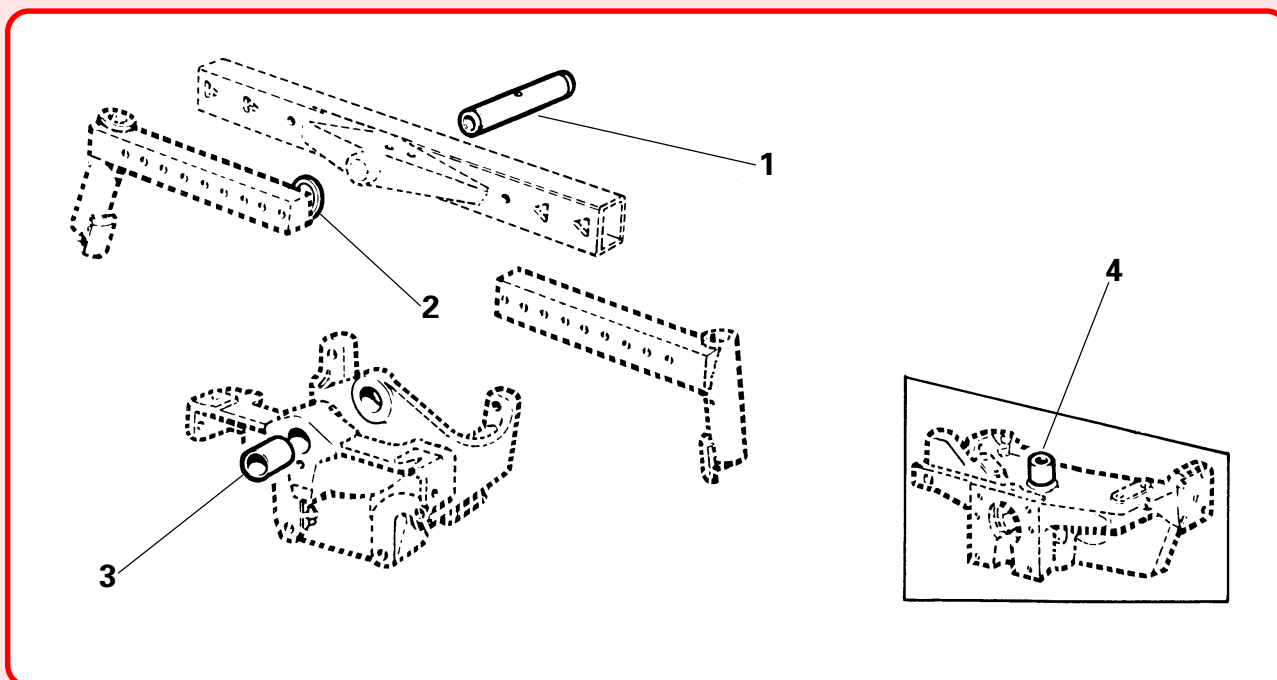


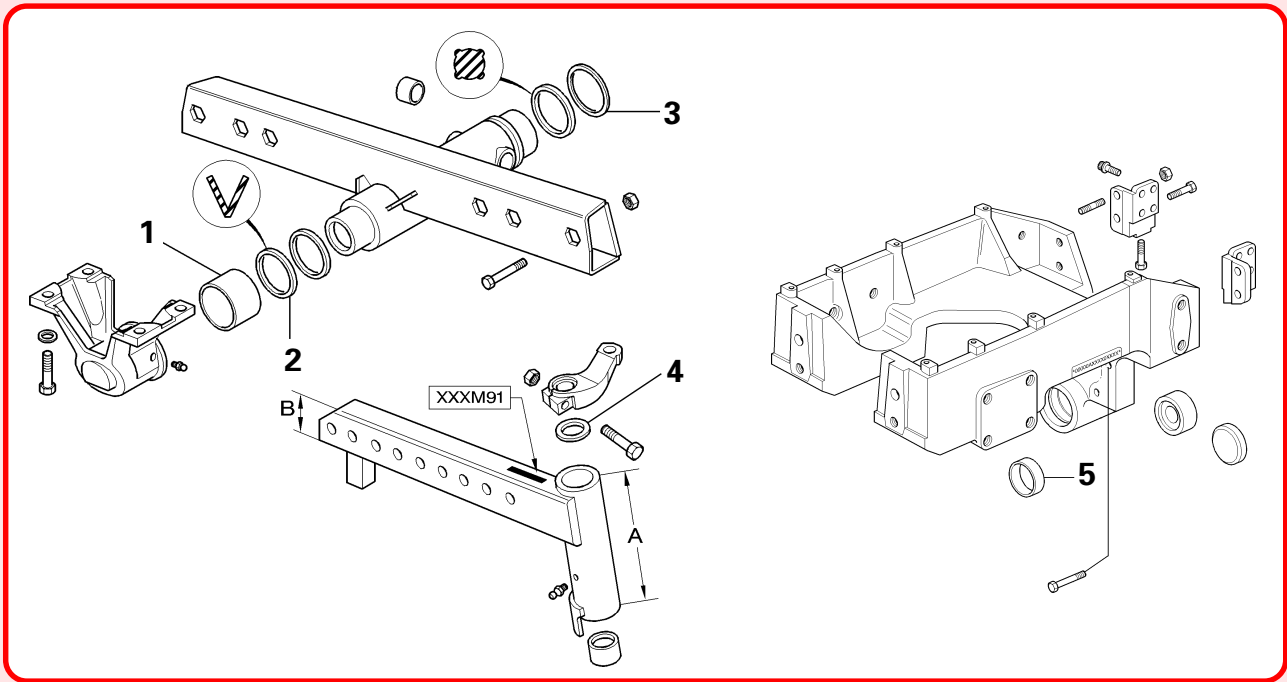
STEERING & FRONT AXLE / DIRECTION ET PONT AVANT / LENKUNG UND VORDERACHSE / DIRECCIÓN Y PUENTE DELANTERO / STYRETØJ OG FORAKSEL



MF135	183221M1	906054M1	-	-
MF165, 168, 175, 178, 185, MF188, 265 → 193552, MF275 → 221522, 285, MF290 → P06196, 298, MF565, 575, 590, 675, 690	898016M3	898017M1	897712M2	897235M1
MF265 → 193552, MF275 → 221522, MF290 → P06196, 298, [MF675, 690] (F) → 1984	1684285M1	898017M1	897712M2	897235M1
MF365, 375, 390, 390T, 398, MF399	1695081M1	898017M1	897712M2	-
MF230, 240, 250, 253, 260, MF340, 342, 350, 352, 355, MF360, 362, 362N	3599705M91	898017M1	1660457M2	-
MF4215, 4220, 4225, 4235	3813360M1	898017M1	-	-



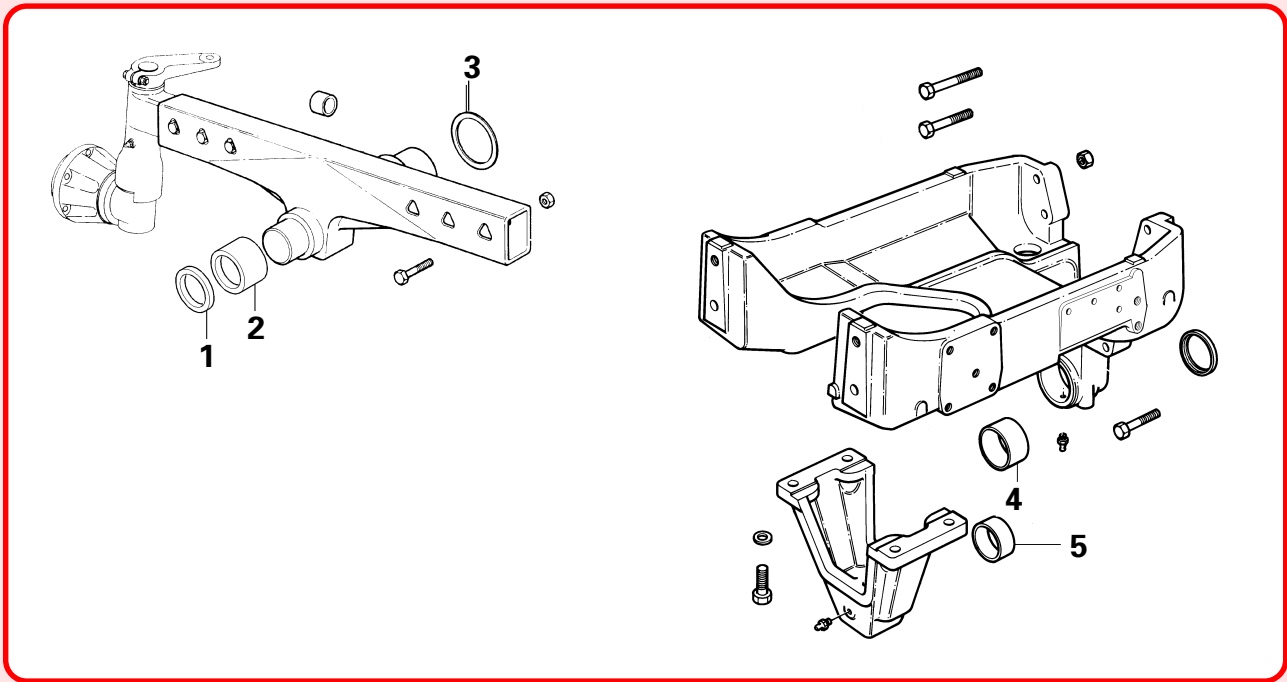
STEERING & FRONT AXLE / DIRECTION ET PONT AVANT / LENKUNG UND VORDERACHSE / DIRECCIÓN Y PUENTE DELANTERO / STYRETØJ OG FORAKSEL



MF4215, 4220, MF4225, 4235	2WD					1660457M2
MF4215, 4220 MF4225, 4235	4WD	3712078M1	3712074M1	3713939M1	882262M1	3810480M1
MF4245, 4255 MF4260, 4270						



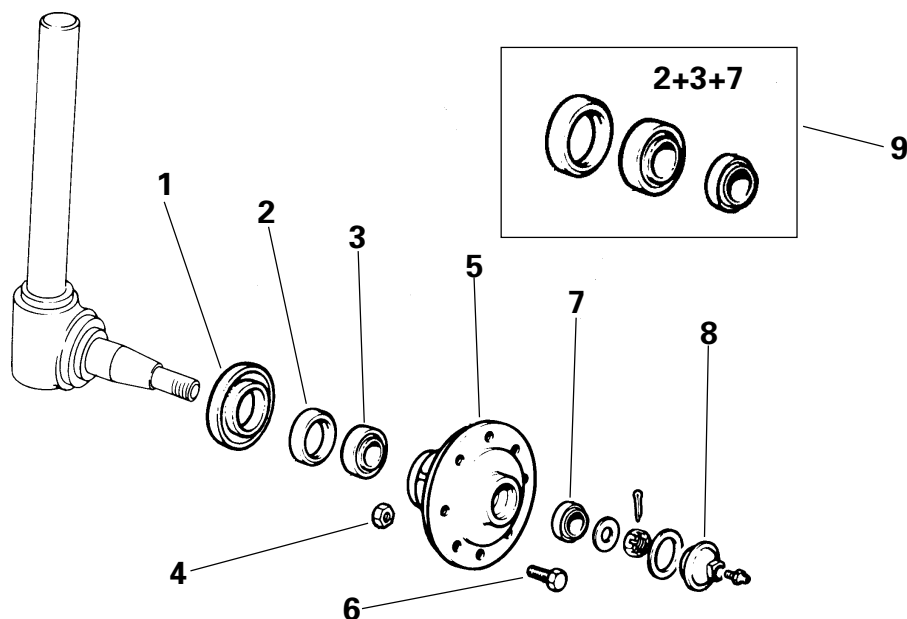
STEERING & FRONT AXLE / DIRECTION ET PONT AVANT / LENKUNG UND VORDERACHSE / DIRECCIÓN Y PUENTE DELANTERO / STYRETØJ OG FORAKSEL



MF6100 Series	3712077M1	3712085M1	3712713M1	3713930M1	3387822M1
MF8100 Series					(76mm)
MF6100 Series	3712077M1	3712085M1	3712713M1	3713930M1	3712078M1
MF8100 Series					(86mm)



STEERING & FRONT AXLE / DIRECTION ET PONT AVANT / LENKUNG UND VORDERACHSE / DIRECCIÓN Y PUENTE DELANTERO / STYRETØJ OG FORAKSEL

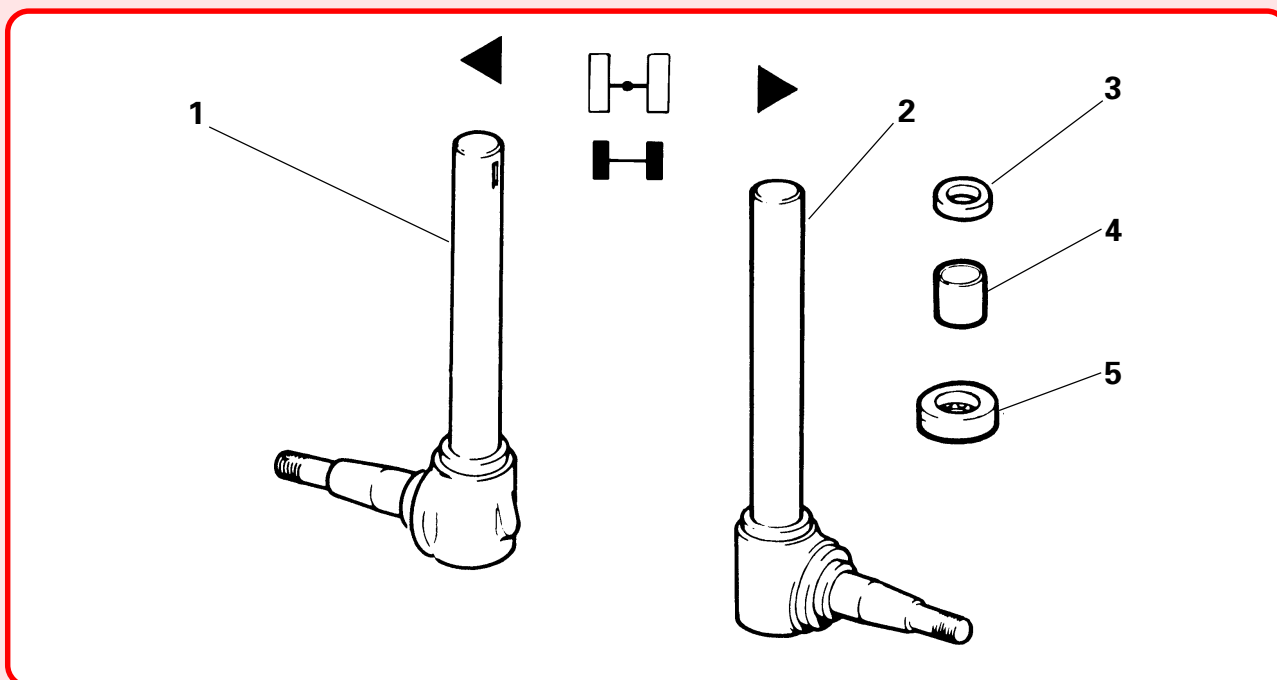


1 2 3 4 5 6 7 8 9

MF135, 148, 165, MF250, 265, MF550, 565	897232M1	897242M1	1851800M91	195490M1	886336M1	887135M1	895322M91	191142M1	1810416M91
MF230, 240, MF255 (E)	897232M1	897242M1	1851800M91	-	886336M1	906863M1	895322M91	191142M1	1810416M91
MF165 (HD), 168, MF175S ↳ 625036, MF185, 188, 265 (HD), MF275, 290, 565 (HD), MF575, 590, 675, 690	898350M1	897702M1	893375M91	195490M1	898346M93	831420M1	893373M91	882637M1	1810320M91
MF178	897460M1	897242M1	1851800M91	184273M1	-	897616M1	895322M91	191142M1	1810416M91
MF178 (HD)	898350M1	897702M1	893375M91	184273M1	-	897616M1	893373M91	882637M1	1810320M91
MF595/595 Mk11	898350M1	897702M1	893375M91	184273M1	906700M92	908111M1	893373M91	882637M1	1810320M91
MF698, 698T, 699	897617M1	897702M1	893375M91	-	1625298M2	518611M1	893373M91	3038045M1	1810320M91
MF2000 Series	897617M1	897702M1	893375M91	-	1625298M2	353677X1	893373M91	3038045M1	1810320M91
MF3000, 3100, MF3600 6 HOLE	897617M1	897702M1	893375M91	-	3387808M11	518611M1	893373M91	3581721M1	1810320M91
MF3000, 3100, MF3600 8 HOLE	3383996M1	3384105M1	3000570X91	-	3387838M11	1823598M1	390876X1	3581721M1	-
MF340, 350		897242M1	1851800M91	-	886336M1	906863M1	895322M91	191142M1	1810416M91
MF350, 352, 355, MF360, 362, 362N, MF365, 375, 390, MF390T, 398, 399	898350M1	897702M1	893375M91	195490M1	898346M93	831420M1	893373M91	882637M1	1810320M91
MF4215, 4220	-	897242M1	1851800M91	-	886336M1	906863M1	895322M91	191142M1	-
MF4215 (HD), MF4220 (HD), MF4225, 4235, 4245, MF4255, 4260, 4270	898350M1	897702M1	893375M91	195490M1	898346M93	831420M1	893373M91	882637M1	-
MF6100	897617M1	897702M1	893375M91	-	3387808M11	518611M1	893373M91	3581721M1	-
MF8100	3383996M1	3384105M1	3000570X91	-	3387838M11	1823598M1	390876X1	3581721M1	-



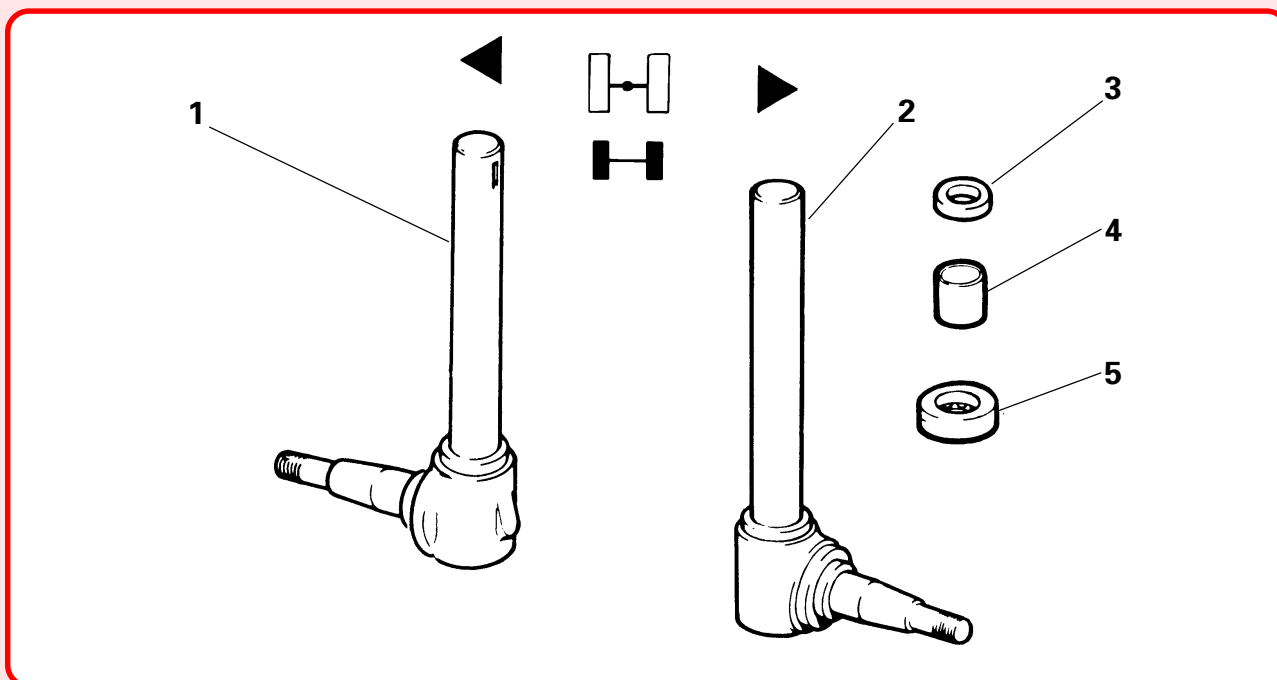
STEERING & FRONT AXLE / DIRECTION ET PONT AVANT / LENKUNG UND VORDERACHSE / DIRECCIÓN Y PUENTE DELANTERO / STYRETØJ OG FORAKSEL



MF135, 148, 230, MF240, 250, 255	897237M94	897236M94	180355M2	180345M1	195175M1
MF230, 240, 253 HYDROSTATIC	897231M94	1694233M91	-	-	3599263M1
MF165, 265, 275, 550, 565	897231M94	1694233M91	183021M2	183086M1	196167M1
MF165, 265, 565 HD	898222M96	898221M96	183021M2	183086M1	196167M1
MF168, 178 (HD), 185, 188, MF290	897476M96	897475M96	183021M2	183086M1	196167M1
MF178	897457M96	897456M96	183021M2	183086M1	196167M1
MF575, 590, 675, 690	897476M96	897475M96	183021M2	183086M1	3618693M1
MF595, 595 MkII	906186M95	906186M95	183021M2	907485M1	513800M1
MF298, 698, 698T, 699	1675754M92	1675753M92	1611264M1	907485M1	3618693M1
MF152S ↳ 253019, 158	964322M91	964321M91	-	963533M1	195175M1
MF158S ↳ 253019					
MF365, 375, 390, 390T, MF398, 399	3697028M91	3697027M91	-	882327M1	-
MF2000 Series	3033676M92	3033237M91	-	907485M1	3618693M1
MF3050, 3060, 3065, 3070	3384053M11	3384054M11	-	3386405M1	3618693M1
MF3070 (HD), 3080, 3085, MF3095, 3115, 3125, 3610, MF3630, 3645, 3650, 3655	3384055M91	3384056M91	-	3386405M1	3618693M1
6 x					
MF3080, 3095, 3115, 3125, MF3610, 3630, 3645, 3650, MF3655, 3680	3384057M91	3384057M91	-	3387137M1	3381926M91
8 x ↳ S028036					
MF3075, 3080, 3085, 3095, MF3100, 3600 Series	3616003M91	3616003M91	-	3387137M1	3010058X91
8 x ↳ S028037					



STEERING & FRONT AXLE / DIRECTION ET PONT AVANT / LENKUNG UND VORDERACHSE / DIRECCIÓN Y PUENTE DELANTERO / STYRETØJ OG FORAKSEL



MF4215, 4220, 4225, 4235	ND	897231M94	1694233M91	-	183086M1	3599263M1
MF4215, 4220, 4225, 4235	HD 354mm	3595823M93	3595822M93	-	183086M1	3599263M1
MF4215, 4220, 4225, 4235	HD 295mm	3595821M93	3595820M93	-	183086M1	3599263M1
MF4215, 4220, 4225, 4235	HD 240mm	1696534M93	1696533M93	-	183086M1	3599263M1
MF4225, 4235, 4260, 4270	189mm	3808109M91	3808108M91	-	882327M1	1696721M1
MF4225, 4235, 4260, 4270	235mm	3808111M91	3808110M91	-	882327M1	1696721M1
MF4225, 4235, 4260, 4270	305mm	3808113M91	3808112M91	-	882327M1	1696721M1
MF4225, 4235, 4260, 4270	380mm	3808115M91	3808114M91	-	882327M1	1696721M1
MF4225, 4235, 4260, 4270	336mm	3809154M91	3809153M91	-	882327M1	1696721M1
MF6100 Series		3384053M11	3384054M11	-	3386405M1	3618693M1
MF8100 Series		3616003M91	3616003M91	-	3387137M1	3010058X91



?

STEERING & FRONT AXLE / DIRECTION ET PONT AVANT / LENKUNG UND VORDERACHSE / DIRECCIÓN Y PUENTE DELANTERO / STYRETØJ OG FORAKSEL

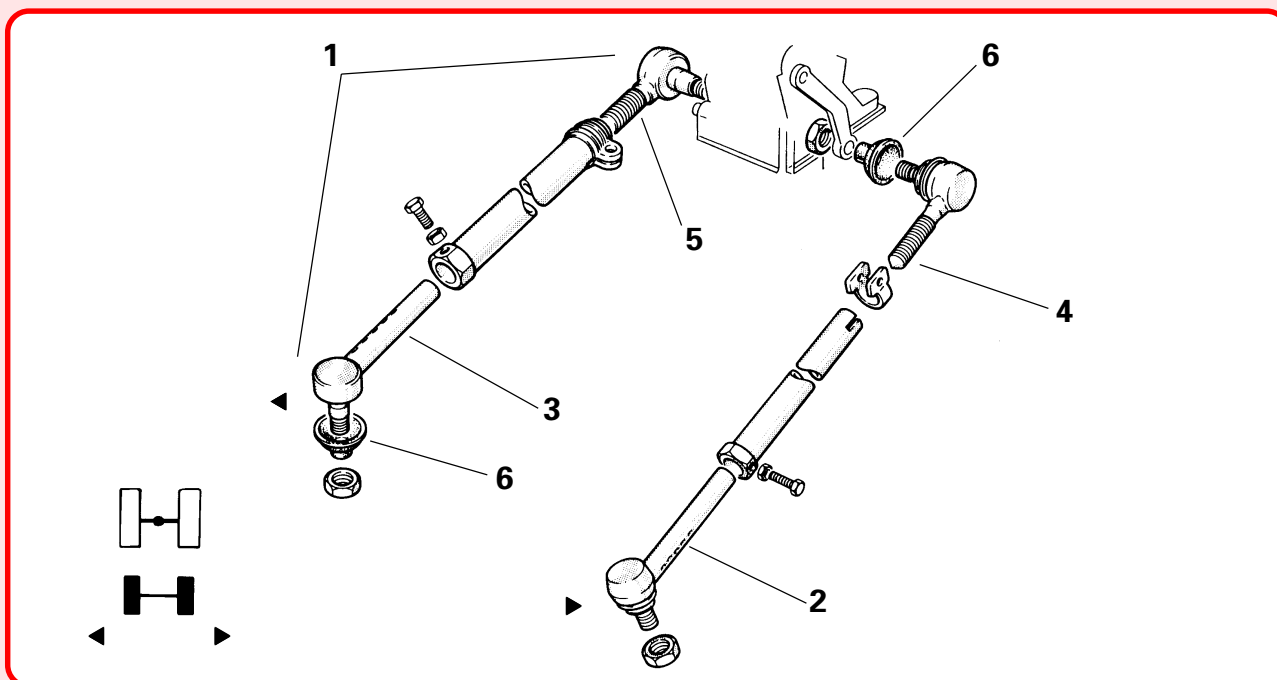
The diagram shows an exploded view of a steering and front axle assembly. The components are numbered as follows: 1. Upper control arm; 2. Lower control arm; 3. Coil spring; 4. Lower control arm ball joint; 5. Lower control arm bush; 6. Lower control arm pivot; 7. Lower control arm pivot pin; 8. Lower control arm pivot nut; 9. Lower control arm pivot washer. A separate inset shows a detailed view of the lower control arm pivot assembly.

1 2 3 4 5 6 7 8 9

MF165, 168, 185, MF265, 275	884797M91	886802M91	196079M1	881736M92	886800M92	1885522M91	886797M91	898354M1	881736M92
MF175/178 → 724936 MF188, 290	885549M91	886802M91	196079M1	881736M92	886800M92	1885522M91	886797M91	898354M1	881736M92
MF565, 575, 590, MF675, 690	-	886802M91	196079M1	881736M92	886800M92	1885522M91	886797M91	898355M91	881736M92

10.6

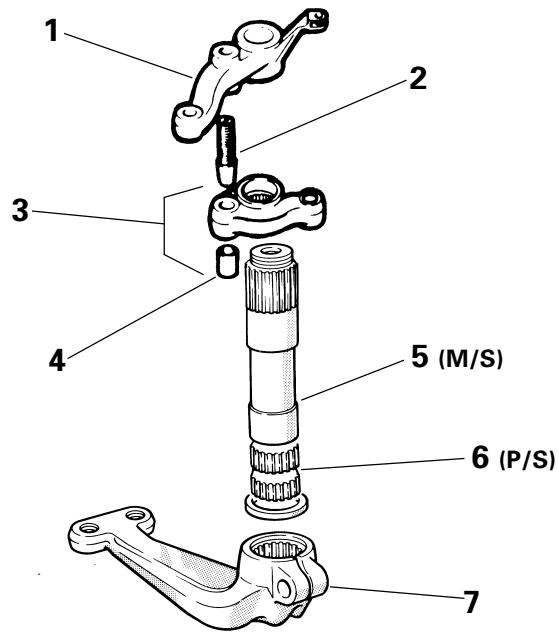
STEERING & FRONT AXLE / DIRECTION ET PONT AVANT / LENKUNG UND VORDERACHSE / DIRECCIÓN Y PUENTE DELANTERO / STYRETØJ OG FORAKSEL



		1	2	3	4	5	6
MF135	-	1862029M91	1862029M91	826752M92	826752M92	-	-
MF135 (HD), 148	-	1860408M2	1860412M2	826752M92	826752M92	-	-
MF240 I→ 522354	1860411M92	1860408M2	1860412M2	1860411M92	826752M92	967702M2	-
MF230, 240 I→ 522354, 250	1860411M92	1808432M1	1808432M1	-	826752M92	967702M2	-
MF235, 245, 255	1860411M92	1808432M1	1808432M1	826752M92	826752M92	967702M2	-
MF135, 148, 230, 235, 240, MF245, 250 P/S	1860366M94	1692144M1	1692144M1	826752M92	826752M92	-	-



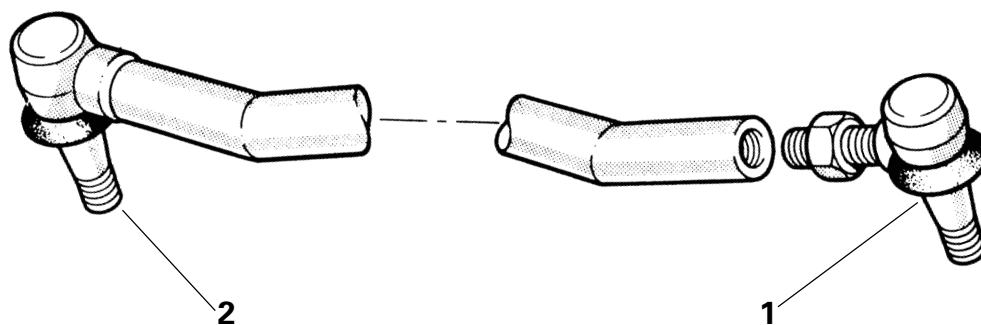
STEERING & FRONT AXLE / DIRECTION ET PONT AVANT / LENKUNG UND VORDERACHSE / DIRECCIÓN Y PUENTE DELANTERO / STYRETØJ OG FORAKSEL

**1****2****3****4****5****6****7**

MF165, 168, 175, 175S, 1671335M1 182725M1 898355M91 190560M1 1676666M1 1676665M1 1676664M1
 MF178 ↳ 724937, 265,
 MF185, 188, 275, 290



STEERING & FRONT AXLE / DIRECTION ET PONT AVANT / LENKUNG UND VORDERACHSE / DIRECCIÓN Y PUENTE DELANTERO / STYRETØJ OG FORAKSEL

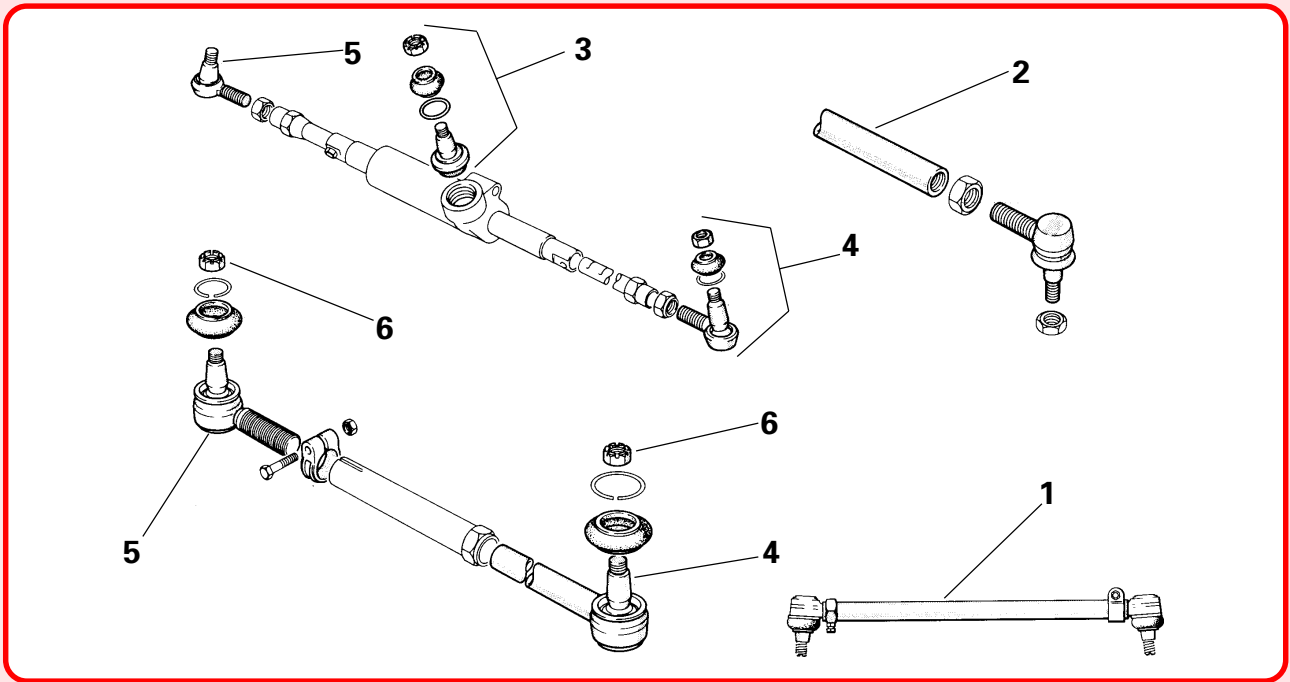


1 2

MF100, 200, 300 Series ①	1821234M91	1821234M91
MF250, 265, 275 ↳ 221522,		
MF290 ↳ 387020, 575 ②,		
MF590 ②, 675 ②, 690 ②		
MF275 ②, 285 ②, 298,	3426773M3	3426773M3
MF350, 355, 360, 365, 375,		
MF390, 390T, 398, 399,		
MF575 ②, 590 ②,		
MF698, 698T, 699,		
MF2000 Series		



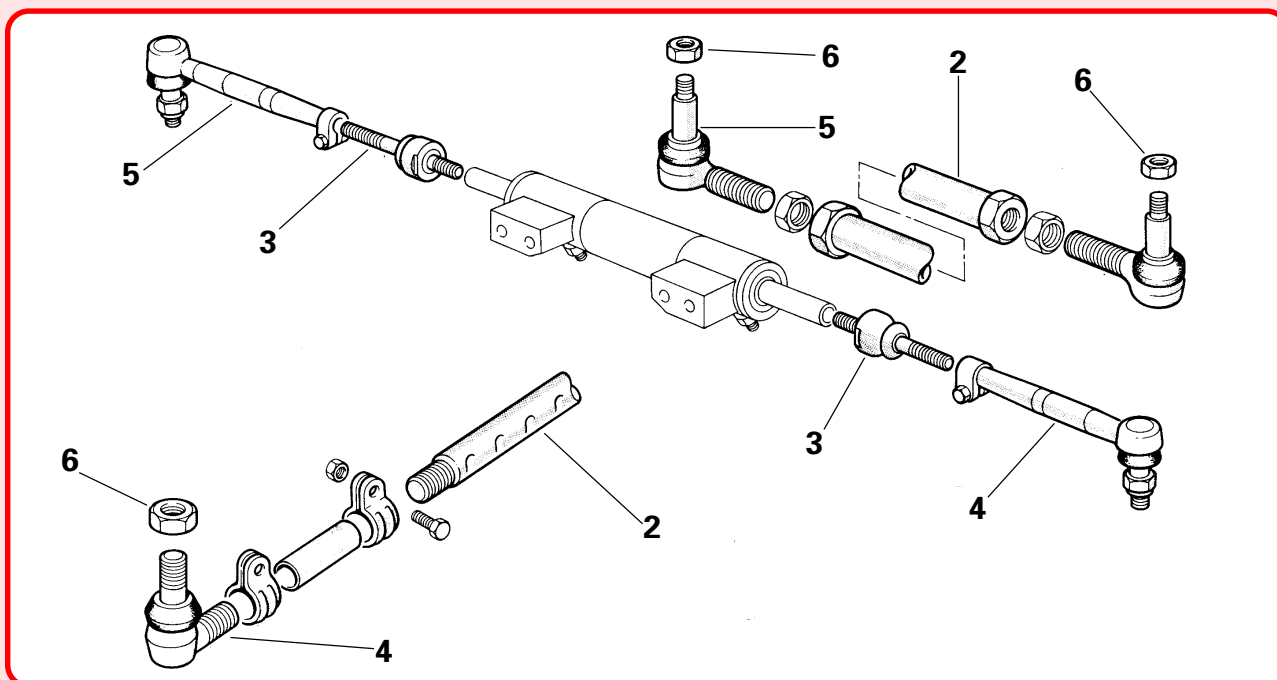
STEERING & FRONT AXLE / DIRECTION ET PONT AVANT / LENKUNG UND VORDERACHSE / DIRECCIÓN Y PUENTE DELANTERO / STYRETØJ OG FORAKSEL



MF340, 350, 355, 360 2WD	3595181M92	-	-	3475945M91	3475946M91	3000037X1
MF350, 355, 360 4WD → Axle 0997	-	3426736M1	-	3426773M3	3426773M3	3428886M1
MF350, 355, 360 4WD ↳ Axle 0998	-	3426736M1	-	3427685M3	3427685M3	3428887M1
MF365, 375, 390 2WD → P33139	-	-	1695045M91	3595527M91	3595527M91	3428888M1
MF398, 399 2WD ↳ P33139	-	-	1695045M91	3599679M91	3599679M91	3428888M1
MF365, 375, 390 4WD	3426735M93	3426533M1	-	3426773M3	3426773M3	3428886M1
MF398, 399 4WD	3426589M93	3426590M1	-	3426773M3	3426773M3	3428886M1
MF2620, 2640, 2645, 2680, 2WD	3380081M92	3380080M1	-	3033244M2	3033243M3	376267X1
MF2685, 2720, 2725						
MF2620, 2640, 2645, 2680, 4WD	-	1425471M91	-	3426773M3	1617829M1	391232X1
MF2685, 2720, 2725						
MF4215, 4220	3595181M92	-	-	3475945M91	3475946M91	3000037X1
MF4225, 4235						



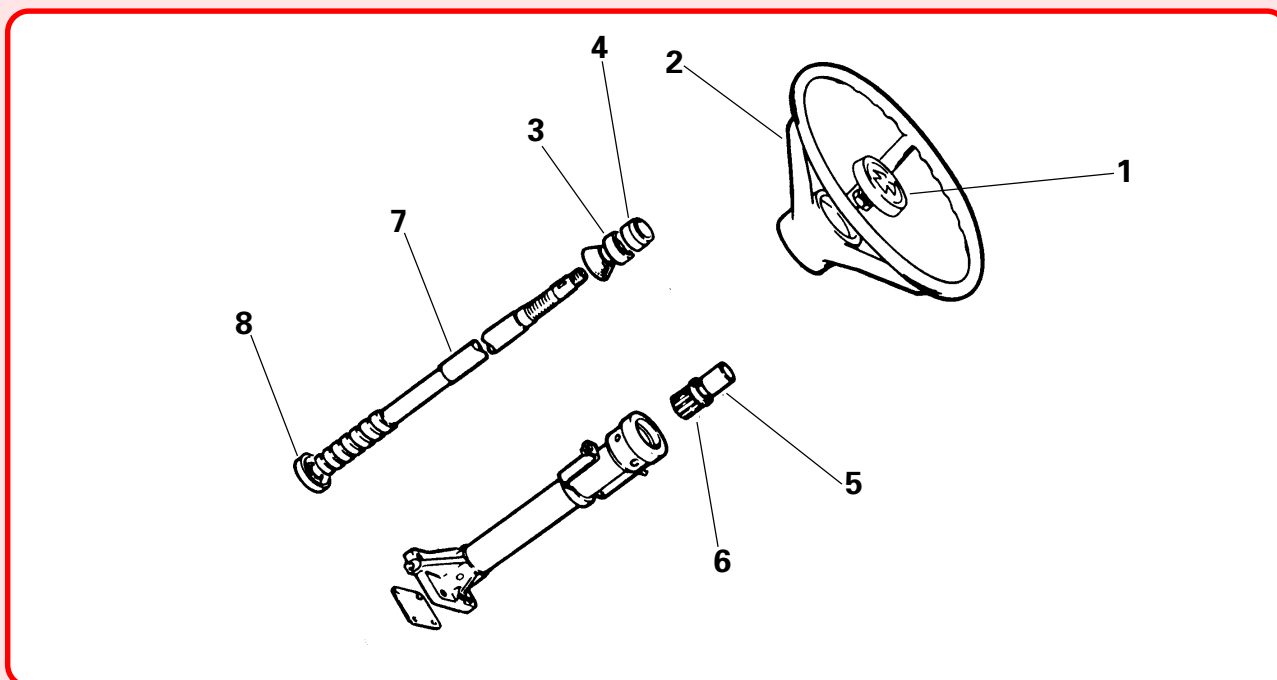
STEERING & FRONT AXLE / DIRECTION ET PONT AVANT / LENKUNG UND VORDERACHSE / DIRECCIÓN Y PUENTE DELANTERO / STYRETØJ OG FORAKSEL



MF3050, 3060, 3065 2WD		3389801M1	3104942M1	-	3104945M1	3104945M1	3005888X1
MF3070, 3080, 3090 2WD		3389802M1	3104946M1	-	3104945M1	3104945M1	3005888X1
MF3610, 3630, 3650							
MF3050, 3060, 3065 4WD		-	-	3426312M1	3426336M1	3426336M1	3005888X1
MF3610, 3630, 3650 4WD → V289024		-	1425471M91	-	3426773M3	1617829M1	391232X1
MF3610, 3630, 3650 4WD ↪ V289025		-	-	3426255M1	3426276M1	3426276M1	3005888X1
MF3070, 3075, 3080, 3085 4WD		-	-	3426312M1	3426313M1	3426313M1	3005888X1
MF3090, 3095, 3115, 3120							
MF6110, 6120, 6130,		3389801M1	3104942M1	-	3104945M1	3104945M1	3005888X1
MF6140, 6150							
MF6160, 6170, 6180,	Tie Rod 617mm	3389802M1	3104946M1	-	3104945M1	3104945M1	3005888X1
MF6190, 8110, 8120,	Tie Rod 668mm	3777294M1	-	-	3104945M1	3104945M1	3005888X1
MF8130, 8140, 8150,							
MF8160							



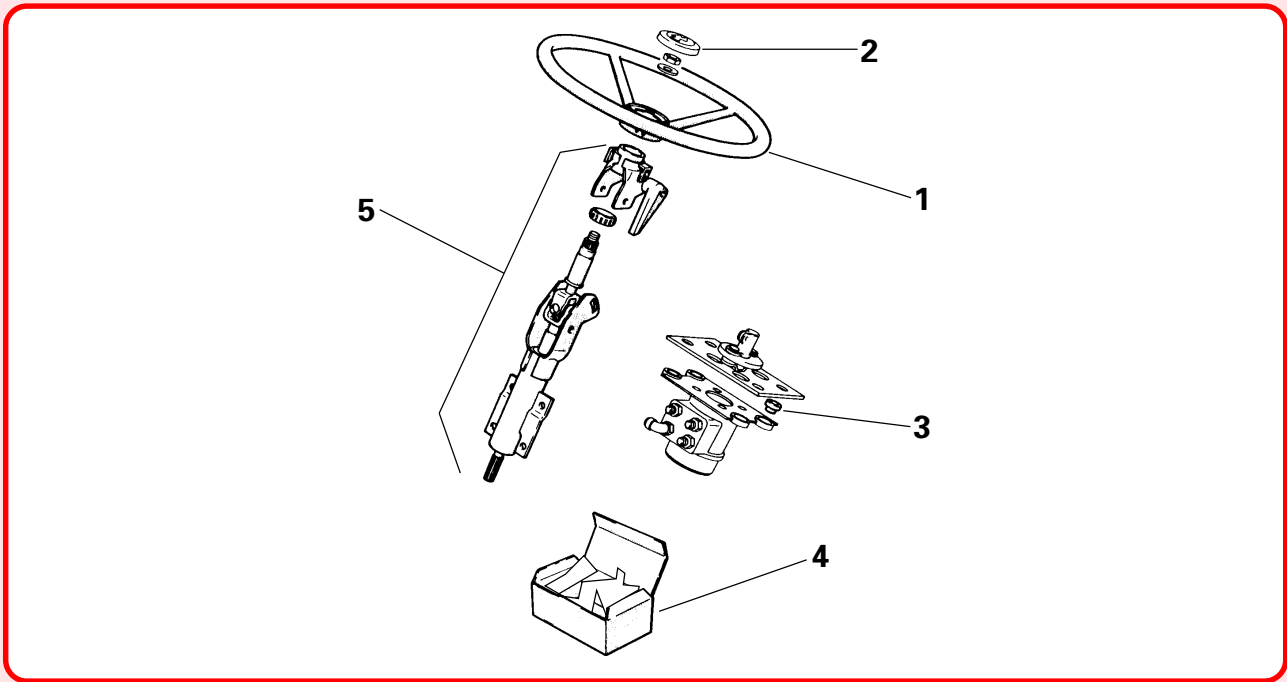
STEERING & FRONT AXLE / DIRECTION ET PONT AVANT / LENKUNG UND VORDERACHSE / DIRECCIÓN Y PUENTE DELANTERO / STYRETØJ OG FORAKSEL




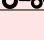


MF135 → 400001	-	1894488M1	1850031M1	1850032M1	-	-	1850003M92	-
MF135 ↳ 400001	-	1894488M1	1850031M1	1850032M1	-	-	1867192M91	-
MF148	3759496M91	1691798M1	1850031M1	1850032M1	-	-	1867192M91	-
MF165 ↳ 100001, 168, 185,	3759758M91	1671945M1	1883133M91	-	1853112M1	1853210M1	1687019M92	1883133M91
MF188, 265, 275 → 211774,								
MF290								
MF175, 175S, 178	3759758M91	1671945M1	1883133M91	-	1853112M1	1853210M1	1885501M91	1883133M91
MF240, 250	3759496M91	1691798M1	1850031M1	1850032M1	-	-	1890727M91	-
MF265 → 181259	3759758M91	1671945M1	1883133M91	-	1853112M1	1853210M1	1687019M92	1883133M91
MF275 → 211774								
MF290 → 387020								
MF265 ↳ 181260 → 198199	3759758M91	1671945M1	1883133M91	-	1853112M1	1853210M1	1687020M92	1883133M91
MF275 ↳ 211775 → 222184								
MF290 ↳ 387021 → 390002								
MF265 ↳ 198200	3759758M91	1671945M1	3473264M1	-	3473276M1	-	1687020M92	3473264M1
MF275 ↳ 222185								
MF290 ↳ 390003								
MF265 Hydrostatic ↳ 193552	-	1674232M1	-	-	-	-	1686590M91	-
MF275 Hydrostatic ↳ 221522								
MF290 Hydrostatic ↳ 387020								
MF298 Hydrostatic								
MF565, 575, 590	-	1671945M1	1876371M91	-	-	-	2522178K91	-



STEERING & FRONT AXLE / DIRECTION ET PONT AVANT / LENKUNG UND VORDERACHSE / DIRECCIÓN Y PUENTE DELANTERO / STYRETØJ OG FORAKSEL



MF300 Series  → P22200	3595931M1	3759494M91	1684015M1	3478262M91	3611706M91
MF300 Series  → P34317					
MF300 Series  → P22201	3595931M1	3759494M91	1684015M1	3901827M91	3611706M91
MF300 Series  → P34317	3595931M1	3759494M91	1684015M1	3901827M91	3611707M91



?

STEERING & FRONT AXLE / DIRECTION ET PONT AVANT / LENKUNG UND VORDERACHSE / DIRECCIÓN Y PUENTE DELANTERO / STYRETØJ OG FORAKSEL

The diagram shows an exploded view of a steering and front axle assembly. Callout 1 points to the steering wheel, 2 to a nut, 3 to a steering knuckle assembly, 4 to a box containing a steering rack, and 5 to the steering rack itself.

1

2

3

4

5

MF300 Series → P34317

3595931M1

3759494M91

1684015M1

3478262M91

1693909M2

MF300 Series ↳ P34317

3595931M1

3759494M91

1684015M1

3901827M91

3611708M91

10.14

?

STEERING & FRONT AXLE / DIRECTION ET PONT AVANT / LENKUNG UND VORDERACHSE / DIRECCIÓN Y PUENTE DELANTERO / STYRETØJ OG FORAKSEL

The diagram shows an exploded view of a steering and front axle assembly. The components are numbered as follows: 1. Steering wheel; 2. Steering wheel hub; 3. Steering knuckle; 4. Steering knuckle pin; 5. Steering knuckle pin sleeve; 6. Steering knuckle pin spring. The diagram also shows the steering knuckle assembly, the steering knuckle pin, the steering knuckle pin sleeve, and the steering knuckle pin spring.

1

2

3

4

5

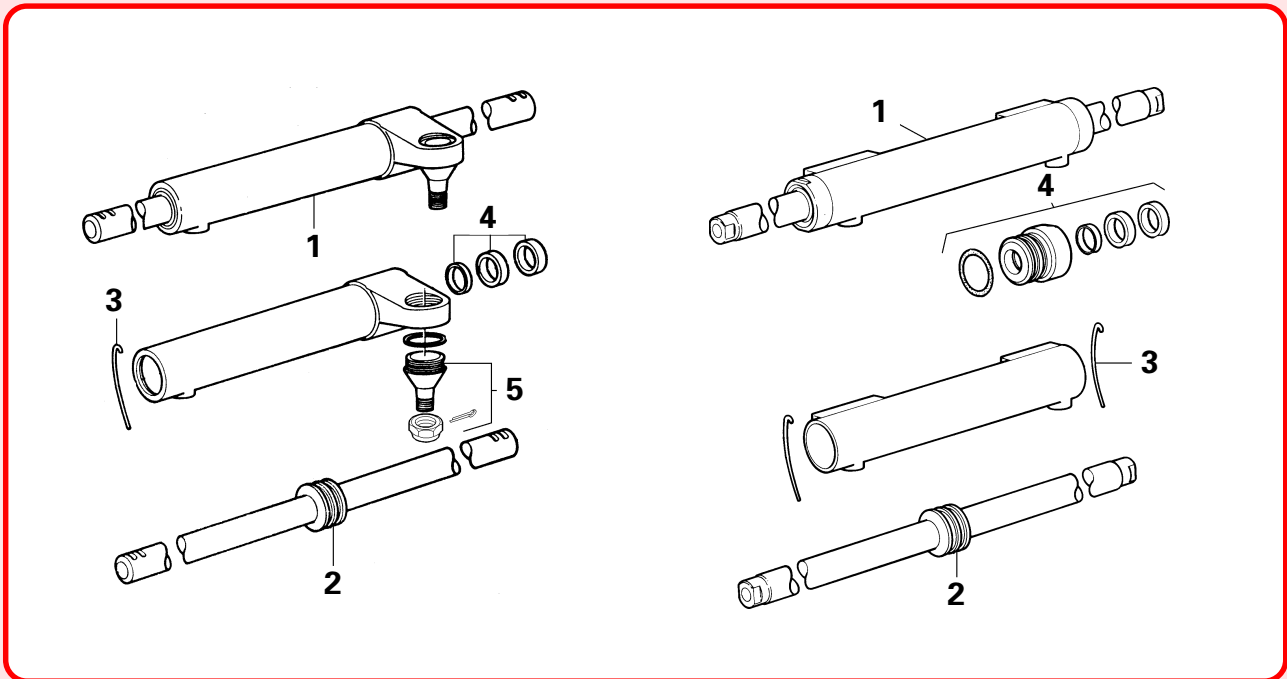
6

MF600 Series

1674232M1 3759758M91 1684015M1 391077X1 1680353M1 1694508M1

10.15

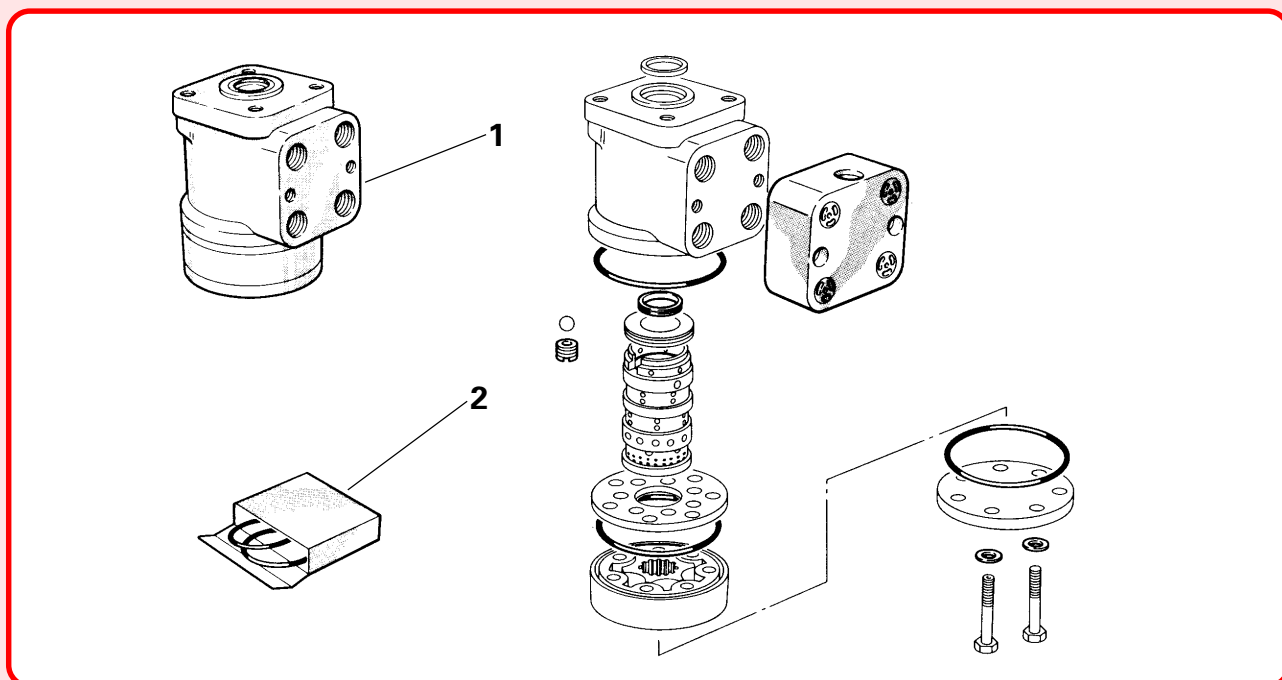
STEERING & FRONT AXLE / DIRECTION ET PONT AVANT / LENKUNG UND VORDERACHSE / DIRECCIÓN Y PUENTE DELANTERO / STYRETØJ OG FORAKSEL



MF4225, 4235, 4245, MF4255, 4260, 4270	2WD	3622607M92	3443707M91	3443432M1	3443433M93	3443896M1
MF4225, 4235, 4245, MF4255, 4260, 4270	4WD	3429989M91	3624165M91	1605699M1	3484327M92	-
MF6110, 6120, 6130, 6140	2WD	3483180M92	3484676M91	1605699M1	3484685M91	3443896M1
MF6110, 6120, 6130, 6140	4WD	3429989M91	3624165M91	1605699M1	3484327M92	-
MF6150, 6160	2WD	3483098M92	3443707M91	3443432M1	3443433M93	3443896M1
MF6150, 6160	4WD	3764032M91	3485512M91	1605320M1	3624121M91	-
MF6170, 6180	2WD	3483098M92	3443707M91	3443432M1	3443433M93	3443896M1
MF6170, 6180	4WD	3429981M91	3624176M91	1605320M1	3624121M91	-
MF8110, 8120, 8130, MF8140, 8150, 8160	2WD → F262031	3617723M1	3900284M91	-	3900287M91	-
MF8110, 8120, 8130, MF8140, 8150, 8160	2WD → F262032	3483098M92	3443707M91	3443432M1	3443433M93	3443896M1
MF8110, 8120, 8130, MF8140, 8150, 8160	4WD → 4246BG	3429759M93	3623923M91	1605415M1	3484624M92	-
MF8110, 8120, 8130, MF8140, 8150, 8160	4WD → 4247BG	3429759M93	3623923M91	1605415M1	3624903M91	-



STEERING & FRONT AXLE / DIRECTION ET PONT AVANT / LENKUNG UND VORDERACHSE / DIRECCIÓN Y PUENTE DELANTERO / STYRETØJ OG FORAKSEL



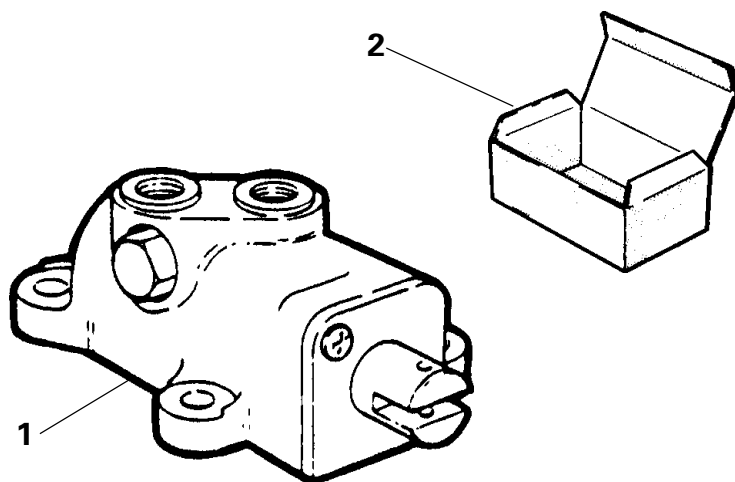
1 2

MF230, 240, 253, 300 Series	1695444M91	1810503M92
MF265, 275, 290, 575, 590, MF675, 690	782509M91	1810503M92
MF265 I→ 197781	1684986M91	1810503M92
MF275 I→ 222212		
MF290 I→ 389717, 298 [MF675, 690, 698, 698T, 699] I→ 1984		
MF365, 375, 390, 390T, 398, MF399	1695445M91	1810503M92
MF3070, 3075, 3080, 3085, MF3090, 3095	3384675M1	



?

STEERING & FRONT AXLE / DIRECTION ET PONT AVANT / LENKUNG UND VORDERACHSE / DIRECCIÓN Y PUENTE DELANTERO / STYRETØJ OG FORAKSEL

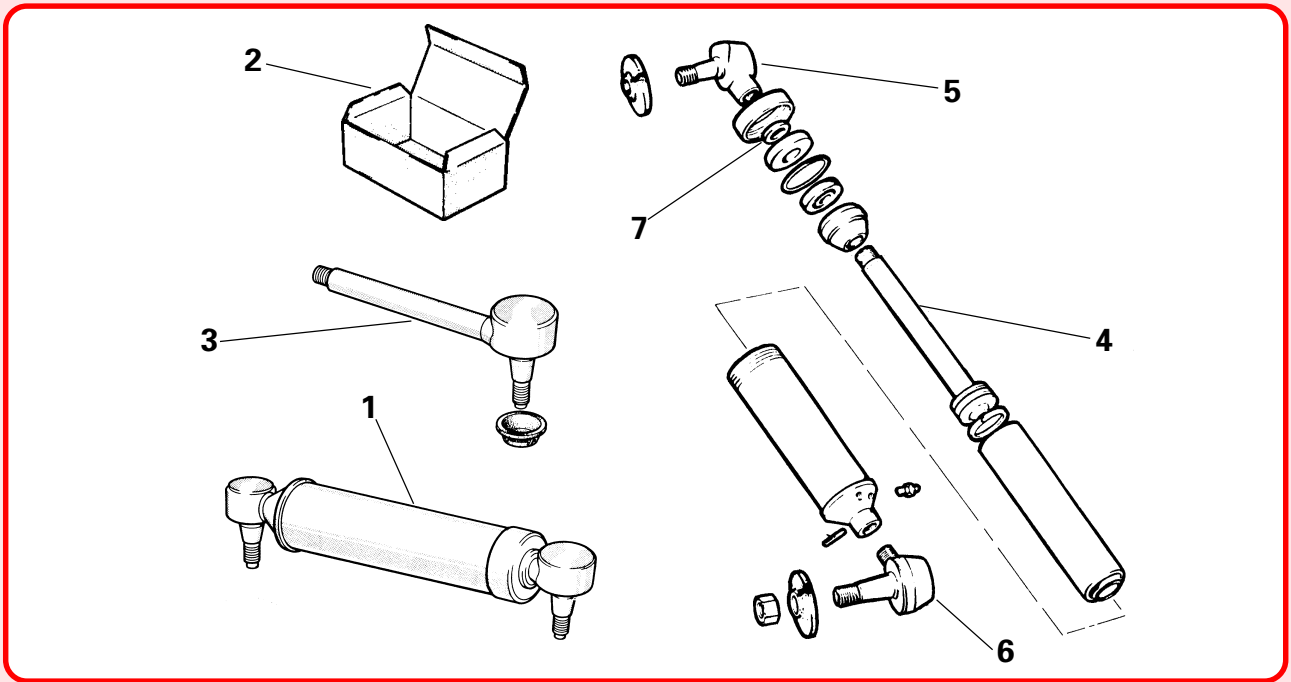


1 2

MF135, 148, 235, 240, 245, MF250 (E), 255, 260, 550, 560	3186463M95	3187043M92
MF165, 168, 178, 185, 188, MF265, 275, 285, 290	3186321M92	3186708M92



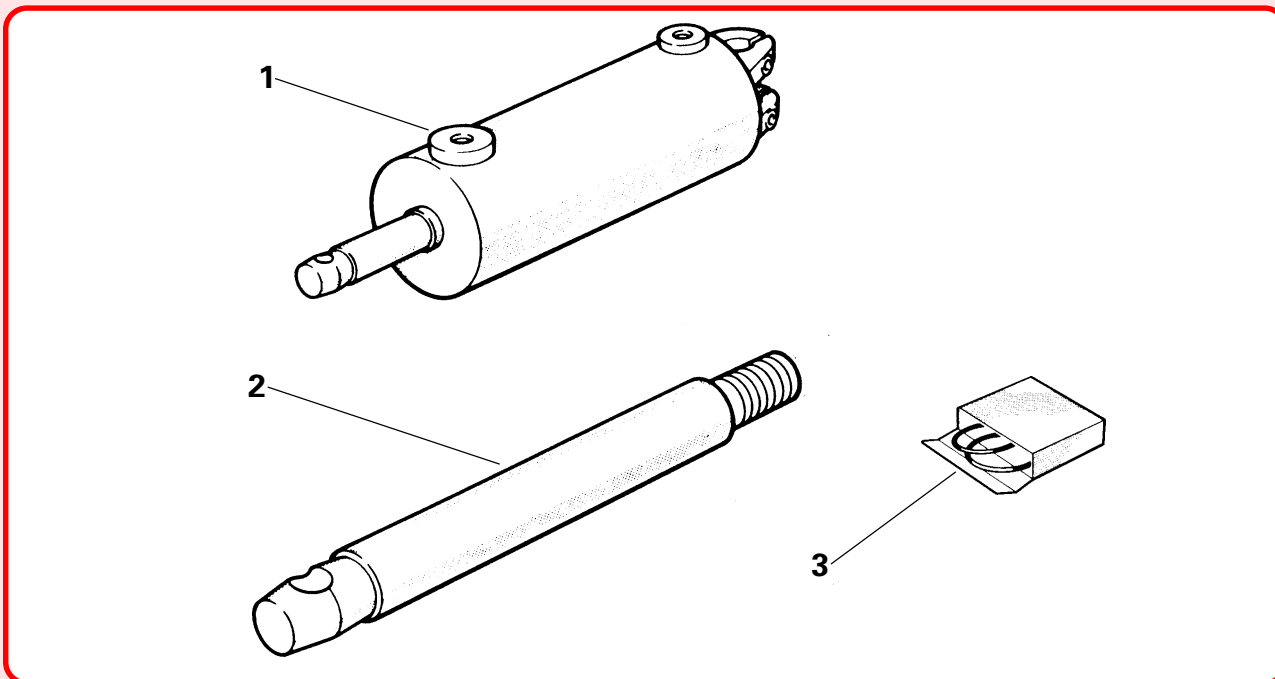
STEERING & FRONT AXLE / DIRECTION ET PONT AVANT / LENKUNG UND VORDERACHSE / DIRECCIÓN Y PUENTE DELANTERO / STYRETØJ OG FORAKSEL



MF135, 148, 235, 245, MF250 (E), 255, 260, 550, 560	-	-	-	1749716M92	1851618M2	1851617M2	1851626M1
MF135, 148, MF200 Series	3401240M91< 3401241M91>	3314663M91	3402911M91	-	-	-	-
MF165, 168, 178, 185, 188, MF265, 275, 285, 290	1853466M93	1810437M91	-	-	-	-	-
MF165, 168, 178, 185, 188, MF265, 275, 285, 290	3186323M91	1606890M91	-	1606882M3	-	-	-
MF240, 250, 253, 273, 275, MF283, 284, 290, 293, 294, MF298, 300 Series (I), MF600 Series ↳ 1984, MF2640, 2645, 2680, 2685, MF2720, 2725, 3610, 3630, MF3650	-	-	-	-	3426660M1	-	-
MF340, 350, 355, 360, 362, MF365, 375, 390, 390T, 398, MF399	-	-	-	-	3427168M2	-	-



STEERING & FRONT AXLE / DIRECTION ET PONT AVANT / LENKUNG UND VORDERACHSE / DIRECCIÓN Y PUENTE DELANTERO / STYRETØJ OG FORAKSEL



MF165, 168, 185, 188, MF174, 184, 194, 253, 254, MF265, 273, 274, 275, 283, MF284, 285, 290, 298, 575, MF590, 675, 690, 698	4WD	1748133M94	1748137M2	1749581M91
MF265, 275, 290, 565, 575, MF590, 675, 690	2WD	1605121M92	1606882M3	1606890M91
MF230, 240, 253, 340, 342, MF350, 352, 355, 360, 362, MF362N	2WD	3401553M92	3443036M91	3404477M91
[MF366, 375, 390, 390T, 398 MF399] → P33138	2WD	3622031M91	3487846M91	3443433M93
[MF366, 375, 390, 390T, 398 MF399] ↳ P33138	2WD	3483881M91	3487846M91	3443433M93
MF340, 350, 360, 362, 365, MF375, 390, 390T	4WD	3483329M92	3484451M1	3484807M91
MF398, 399		3483356M92	3484713M1	3484807M91
MF174, 184, 194, 273, 274, MF284, 293, 373, 377, 383, MF387, 393, 397	2WD	1605172M91	1609085M91	1609086M91
MF353, 363, 373, 377, 383, MF387, 393, 397	4WD	3401535M92	3485505M91	3484327M92
MF3070, 3080, 3090, 3095 ↳ A189034	2WD	3483098M92	3900286M91	3900287M91
MF3050, 3060, 3065	4WD	3401535M92	3485505M91	3484327M92
MF3070, 3075, 3080, 3085, MF3090, 3095, 3115, 3120	4WD	3426897M92	3485512M91	3484317M92
MF3600 Series ↳ V289025	4WD	3483343M92	3485513M91	3484624M92
MF4215, 4220, 4225, 4235		3401553M92	3443036M91	3404477M91

