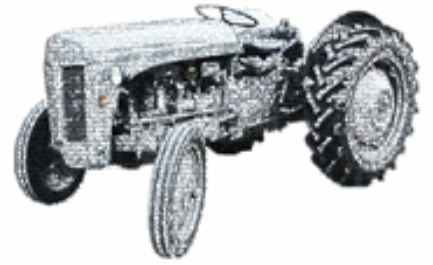




# L.O.G Heigl









Replacement Parts Suitable for

## JCB/MF Diggers/Case/Hitachi



## JCB

<b>Engine &amp; Crankshaft Parts</b>	<b>ind4</b>	
Fuel Pumps	ind 4	
Tank Caps	ind 4	
Exhausts	ind 5	
<b>Filters</b>	<b>ind 6</b>	
<b>Axle Parts</b>	<b>ind 10</b>	
Wheel Hubs	ind 10	
<b>Cab, Sheet Metal &amp; Electrical</b>	<b>ind 11</b>	
Electrical Parts	ind 11	
Glass	ind 12	
<b>Clutch, Transmission &amp; PTO</b>	<b>ind 13</b>	
Clutches	ind 13	
Transmission	ind 14	
<b>Brakes, Hydraulics &amp; Linkage</b>	<b>ind 15</b>	
Cable	ind 15	

## MF Diggers

---

**Engine & Crankshaft Parts**

**ind 17**



---

**Filters**

**ind 18**



---

**Axle Parts**

**ind 22**



---

**Cab, Sheet Metal & Electrical**

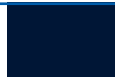
**ind 28**



---

**Clutch, Transmission & PTO**

**ind 30**



---

**Brakes, Hydraulics & Linkage**

**ind 32**



---

**Filters**

**ind 37**



---

**Axle Parts**

**ind 38**



---

**Bolts, Nut & Bearings**

**ind 38**



---

**Brakes, Hydraulics & Linkage**

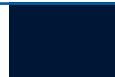
**ind 38**



---

**Clutch, Transmission & PTO**

**ind 39**



---

## Hitachi

---

**Filters**

**ind 41**



---

**Cab, Sheet Metal & Electrical**

**ind 43**



---

**Exhausts**

**ind 44**



## Lift Pumps

**4258**



Fuel Lift Pump-JCB

**51566**



Fuel Lift Pump JCB Fastrac

**53825**



Fuel Lift Pump JCB 940 506C 508C 526 528 521 533 535 536 541  
Suits All JCB with Manual Lift Pumps  
OE Ref: 32007201

**2641725**

Fuel Lift Pump Perkins 4.236 Series  
4.248 Series  
OE Ref: 3118234R91 4555699



**2641729**

Fuel Lift Pump 6354.4 Phaser 6 Cylinder  
OE Ref: 1446951M91



## Throttle Cables



**53890**

Throttle Cable JCB Telehandler  
535-67 530-95 525-67 525-58 530-110 537 537-120 540-120  
OE Ref: 910/31300



**53889**

Throttle Cable JCB Telehandler  
526-55 5205 5265 533-105 520-55 540  
OE Ref: 331/14325

## Fuel Tank Caps

**59840**

Fuel Tank Cap **Lockable**  
JCB Fastrac Teleporter



**59436**

Fuel Tank Cap **No Lock**  
JCB Fastrac Telehandler



## Exhausts

**53872**

Exhaust Box JCB 3CX Up To  
Serial Number 414785  
OE Ref: 123/03223



**53877**

Exhaust Box JCB 3CX Non  
Turbo From Serial M414786  
OE Ref: 123/03964



**53876**

Exhaust Box JCB 3CX 4CX Turbo From Serial M414695  
OE Ref: 123/03963



**53874**

Exhaust Box JCB 3CX 4CX Turbo Up To Serial Number 414694  
OE Ref: 123/03433



**53873**

Exhaust Box JCB 3CX Grey Cab  
Serial Range 337001 - 400000  
OE Ref: 993/66200



**53875**

Exhaust Box JCB 3CX Turbo Grey CAB  
From Serial 337001 - 400000  
OE Ref: 993/66300

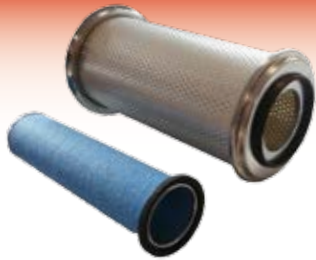


**43636**

Exhaust Silencer Turbo JCB Loadall 530  
540 537 532  
OE Ref: 993/66300



## Air Filters



**61888**

Air Filter Kit 698T 699T 3000s 6100s JCB 3CX 3050 3060  
3065 3070 3075 3080 3085 3090 3095 3120T 3120 6110  
6120 6130 6140 6150 6160 OE Ref: 1062501M91 &  
1093683



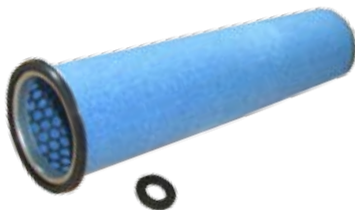
**3046**

Air Filter JCB 412  
Farm - Master



**4390**

Air Filter JCB 3CX Outer  
\*\*4675 is the Inner\*\*



**4675**

Air Filter JCB  
3CX Inner



**26510229**

Air Filter Landini 9880  
Merlo Outer



**2701**

Air Filter Case  
580K Outer

## 429959 Kit

Air Filter Kit 4200 - 373.8mm Long Suits John Deere 5620 5720 5820  
OE Ref: 3901475M1 & 3901476M



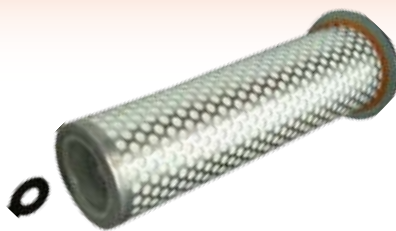
6772

## 429958 Kit

Air Filter Kit 4200 5400 - 359.3mm Long  
OE Ref: 3901464M1 & 3901465M

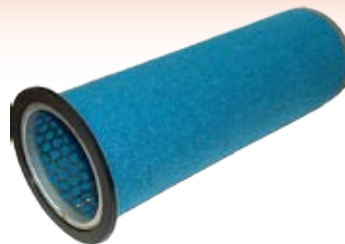


1263



525-50  
Inner Air Filter

1101



3CX/525-58FS/530-110  
Inner Air Filter

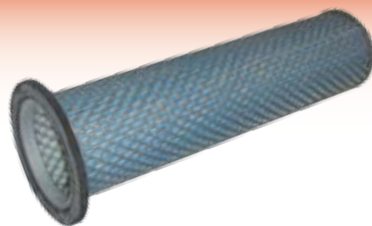
1083



JCB 3CX  
Outer Air Filter

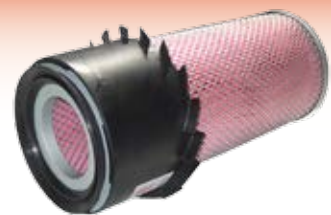
1661

Air Filter JCB 3C  
3CX Inner



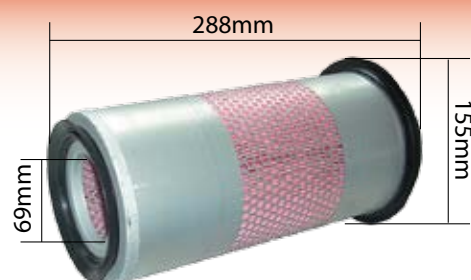
1660

Air Filter JCB 3C  
3CX Outer



1681

Also Hymac 370, 370C



## Engine Oil Filters

**2654403**

Engine Oil Filter 212  
248 & 4000 5000  
Perkins 600 pcs per  
pallet 130mm



**2654407**

Engine Oil Filter  
Perkins 3000 4200  
4300 5400 6200  
7000 2000 170mm  
Landini Legend  
105 165 IH MX80 -  
MX110



**2654408**

Engine Oil Filter  
35 135 240 Perkins  
Spin On



**1473**



Engine Oil Filter 20D 35  
4 Cylinder 138mm Long  
5 1/2"

**52007**



Engine Oil Filter Case  
Maxxum 5100 MX110-175  
JCB Fastrac 2140, Loader  
414/416 5.9L Cummins Case  
Maxxum 5140 5150



**53691**

Oil Filter JCB 414S 414S Agri  
416S 416S Agri New Holland  
LM5040 LM5080  
[Oe Ref: 87803261](#)

**409666**



Fuel Filter Ford TM120-TM190  
5 Micron Also fits JCB Engine  
and JX1090U from 2008  
NORMAL FLOW 5 MICRON 6.0"  
LENGTH

## Hydraulic Filters

**1577**



Hydraulic Filter  
Hedge Cutter

**53234**



Oil Filter Volvo  
L50 L70

**2146**



Hydraulic Filter UCC  
Fits JCB Forklift & Loader

**3393**



Hydraulic Filter JCB 3CX  
4CX TH's

**3998**



Hydraulic Filter JCB Fastrac

**53426**



Hydraulic Filter Manitou  
MLA627 MLT628 MLT628T



**53821**

Hydraulic Filter JCB 520-50 526 Telebat 526-56  
528S 528-70 Telebat 531-70 533-105 533- 103B  
533-105 Telebat 535-125 535-140 535-95  
Telebat 536-60 536-70 536-70, 2CX, 3CX, 4CX  
[OE Ref: 581/18063](#)



## Fuel Filters

**3082**

Fuel Filter IHC Fiat Ford 40 T DX4  
Fendt Farmer 300 Favorit 500 600 800 900



**1782**

Fuel Filter Massey Ferguson Ford Short 522 Case IH  
McCormick David Brown Fendt Landini  
Leyland Renault Same - 100 Box - 20 Tray



**4903**



Fuel Filter Case 51 Series  
Case 5120 - 5250 7110 - 7250-MX 6 Cyl  
Deutz 4.70 - 6.20 Deutz DX4.70 - 6.20

**4899**



Fuel Water Separator Filter Fits  
Case 51 Seri

**2656602**



Fuel Filter Ford TW 200  
500 (36)

**41750**

Fuel Filter Large In Line Gauze Type



**41751**

Fuel Filter In Line Short Gauze Type



## Front Axle

### Bearings

**3575**



Wheel Bearing Kit JCB 3C

**3803**



Wheel Bearing Kit JCB 3CX

### Seals

**3688**

Hub Seal JCB 3CX  
100x78x10



**3685**

Hub Seal JCB 3C - 82mm x  
120mm x 12mm



### Decals

**53676**  
Decal Kit JCB  
TM310



**53674**  
Decal Kit JCB TM270



**53675**  
Decal Kit JCB 414



**53679**  
Decal Kit JCB 416



**53677**  
Decal Kit JCB  
530/70



**53678**  
Decal Kit JCB  
TM300



**53680**  
Decal  
30kmph



**53681**  
Decal  
40kmph



**53682**  
Decal  
50kmph



**53683**  
Decal  
60kmph



## Electrical Parts

### Ignition Switches



**52050**  
Ignition Switch IHC 42 \*\*  
33 01 32 on Switch Digital  
Dash, Electric Shuttle \*\*  
51181K is K \*\* 51181 is  
without electric shuttle \*\*



**51181**  
Ignition Switch IHC JCB  
\*\* 33 02 62 on switch C55  
C55A C64 C64A C70A CS48  
CS48 CS52 CS58 CS63 CS68  
CS75 (Not for digital dash)  
Fendt



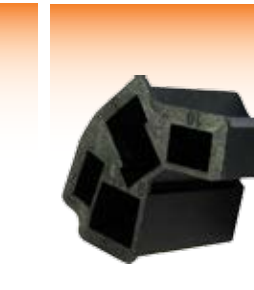
**51181K**  
Ignition Switch Key  
IHC JCB New Type  
\*\* Waterproof Key \*\*



**53236**  
Cover Key Hole Water  
Proof Ignition Switch



**53237**  
Cover Terminal Water  
Proof Ignition Switch



**53238**  
Cover Terminal Water  
Proof Ignition Switch



**53235**  
Cover Bottom Water  
Proof Ignition Switch

## Electrical Parts

**52621**



Head Lamp JCB New Type  
c/o bulbs and 30cm Fitted Cable

**52620**



Head Lamp JCB New Type  
with Original Connection

**53756**

Lens Head Lamp JCB  
New Type  
\*\* Suits 52621 \*\*



**4245**



Head Lamp & Flasher  
Lamp Complete JCB

## Starters

**64475**

Starter

Massey Ferguson 54 Series 64 Series JCB 2CX 3CX

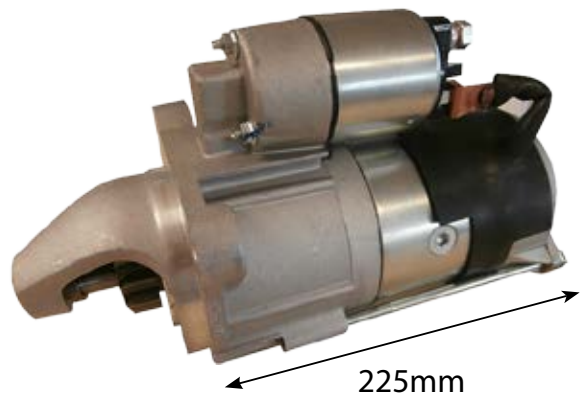
OE Ref: 3823621E91

**MAHLE**  
Letrika



**53663**

Starter Teleporter



## Alternator

**64485**

Alternator

Massey Ferguson 4225 4235 4240 JCB

Loadall Iskra 80 Amp

OE Ref: 3823652M1

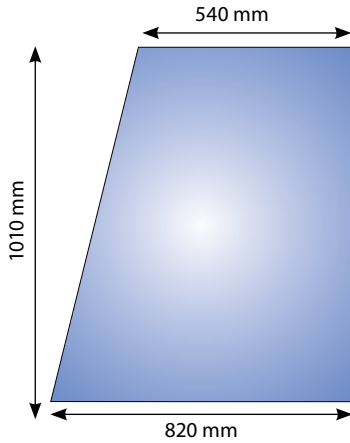
714/32200

**MAHLE**  
Letrika

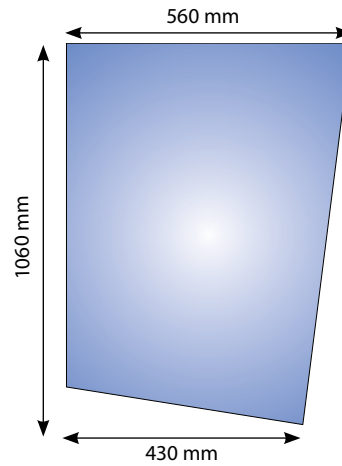


## Glass

**30286**  
Glass JCB Pro 8  
Top Door RH

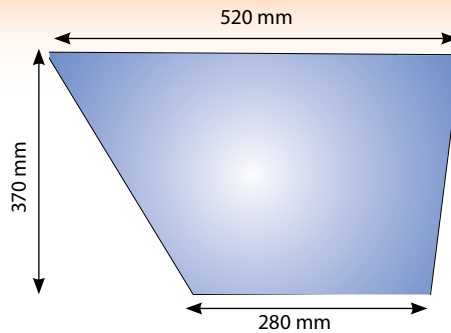


**30281**  
Glass JCB  
Pro 8 Side  
RH



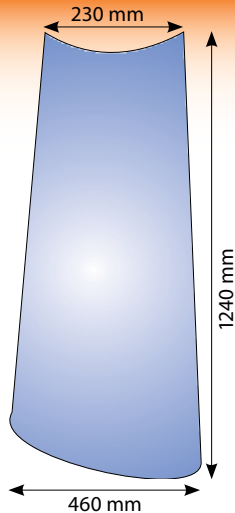
**30282**  
Glass JCB  
Pro 8 Side  
LH

**20265**  
Glass JCB Pro 8 Bot-  
tom Door LH

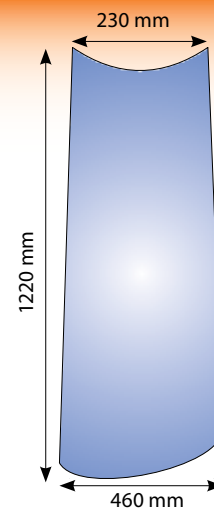


**20264**  
Glass JCB PRO 8 Bot-  
tomm Door RH

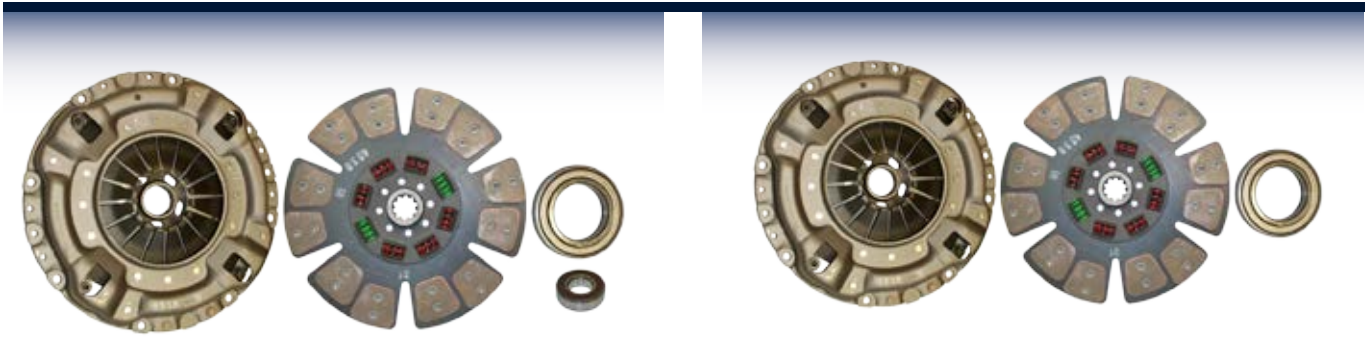
**1776**  
  
Glass JCB 3CX 4CX 6  
Pro 12 LightTinted



**1838**  
  
Glass JCB Project  
8/12 Side Glass  
Curved



## Clutch



**2840**

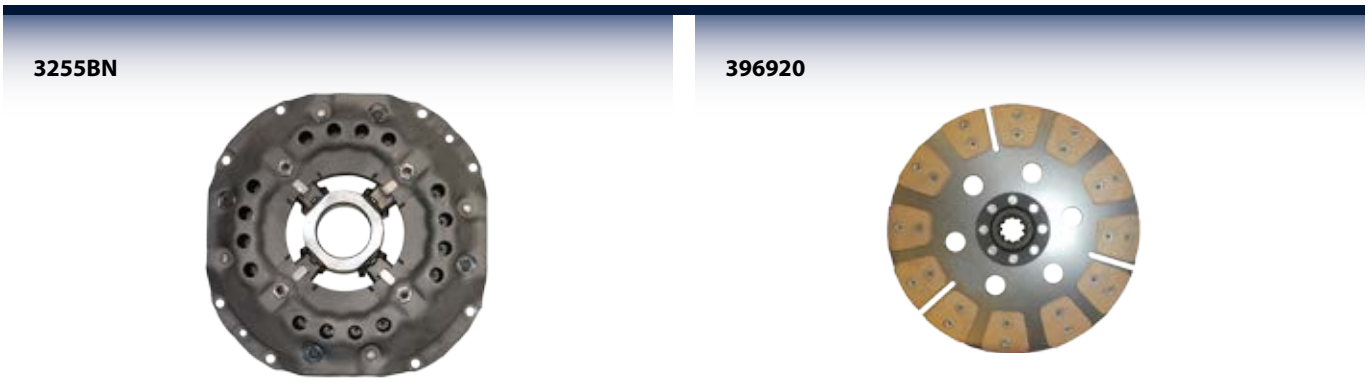
Clutch Kit JCB Fastrac 130T 12 Pad-  
dle 14" 145T 155T

Bearing = 51279

**51346**

Clutch Kit JCB Fastrac 130T 145T 155T 14" 12 Paddle \*\*  
Complete Kit is 2840 \*\* 14" OE Ref: 47602500

## 3/3CS/4/4CS 13" Clutch



**3255BN**

Clutch Assembly Ford  
13"

**396920**

Clutch Disc JCB 3C

## FUEL

**62363**

Filter=61491



Fuel Lift Pump Electric 5400 & Fil-  
ter Housing 6445 - 70 McCormick  
CX75 -105 MC95 - 115  
Landini Vision JCB 412 416 \*\*  
Filter 61491

**62363G**

Filter=61491



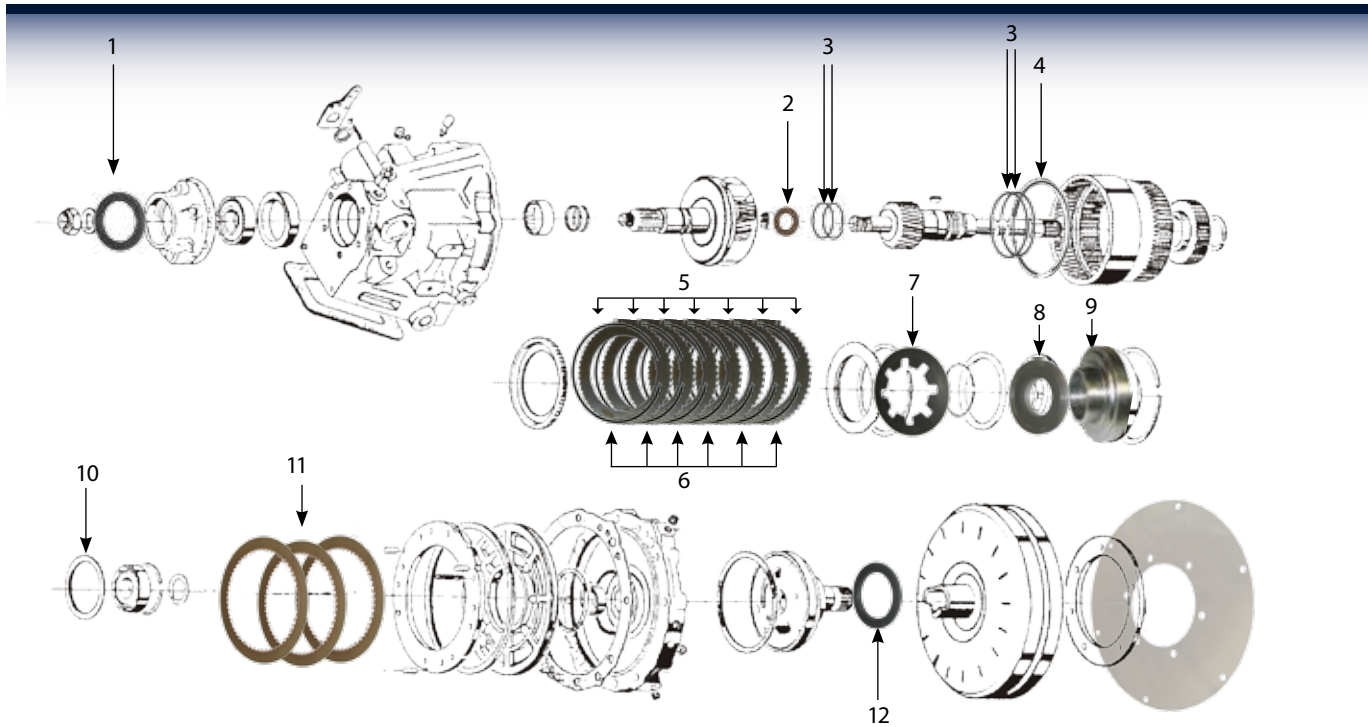
Fuel Lift Pump Electric 5400 & Fil-  
ter Housing 6445 - 70 McCormick  
CX75 -105 MC95 - 115  
Landini Vision JCB 412 416 \*\*  
Filter 61491

**61491**



Fuel Filter 5400 6445 - 6470  
McCormick CX75 - 105 MC95 -  
115 Landini Vision JCB 412 416  
\*\* O Ring is 62924

## 580F/G Warner Transmissions



- |     |               |                               |
|-----|---------------|-------------------------------|
| 1.  | <b>WG709</b>  | Oil Seal                      |
| 2.  | <b>WG7W2</b>  | Case Thrust Washer            |
| 3.  | <b>WG7RS1</b> | Case Piston Ring Kit          |
| 4.  | <b>WG7P6A</b> | Case Snap Ring Selective      |
|     | <b>WG7P6D</b> | Case Snap Ring Selective      |
| 5.  | <b>WG7C3</b>  | Case Clutch Plate (7 Per Set) |
| 6.  | <b>WG7C4</b>  | Case Clutch Plate (6 Per Set) |
| 7.  | <b>WG7X10</b> | Case Spring                   |
| 8.  | <b>WG7X8</b>  | Case Piston                   |
| 9.  | <b>WG7X7</b>  | Case Piston Chamber           |
| 10. | <b>WG7W1</b>  | Case Thrust Washer            |
| 11. | <b>WG7C1</b>  | Case Clutch Plate (3 Per Set) |
| 12. | <b>WG708</b>  | Oil Seal                      |

### WG7051

JCB Seal Kit





## Pick Up Hitch Cable JCB Fastrac

**3134**

Pick Up Hitch Cable JCB  
Fastrac



## Brake Disc

**53127**



Brake Disc Paper JCB Telehandler  
\*\* Steel Disc is 53128 \*\* 10 per axle \*\*  
15 teeth 222 x 49.5 x 3.9mm

**53128**



Brake Disc Steel JCB Telehandler  
\*\* Paper Disc is 53127 \*\* 12 per axle \*\*  
3 teeth 240 x 140 x 3.9mm

## Hydraulic Pump

**53768**

Hydraulic Pump JCB  
Fastrac Double Gear  
A40.0/12.8L 36326  
OE Ref: [5S2/40050JCB](#)



## Contents

---

### Engine & Crankshaft Parts

	ind 15
Exhausts	ind 15
Manifolds	ind 15
Hoses	ind 16

---

### Filters

	ind 17
Filter Kits	ind 17
Air Filters	ind 18
Fuel Filters	ind 18
Hydraulic Filters	ind 18
Oil Filters	ind 18
Fermec 860 Filters	ind 19

---

### Axle Parts

	ind 20
50B Front Axle Parts	ind 20
860 4WD Carraro Front Axle	ind 21
50HX 4WD Carraro Front Axle	ind 21
4WD Carraro 50HZX/860	ind 22
50HZX/860 Front Axle Housing	ind 23
MF 165-188 P/S Components	ind 24

---

### Cab, Sheet Metal & Electrical

	ind 26
Work Lamps	ind 26
Isolation Switches	ind 26
Warning Lights	ind 26
Lucas Beacons	ind 27
Lucas Brackets	ind 27

---

### Clutch, Transmission & PTO

	ind 28
40/50/50B Components	ind 28
50B Torque Converter	ind 29
50/50B Torque Converter	ind 29

---

### Brakes, Hydraulics & Linkage

	ind 30
Ram Seal Kits	ind 30
Hydraulic Parts	ind 31
Bearings & Seals	ind 31
Brakes & Throttle Parts	ind 32
Cables	ind 33

## Exhausts

<p><b>3240A</b></p> <p>1070 mm</p> <p>55 mm</p> <p>Exhaust 165 188 Black Enamel Also 50B Clamp to Suit 1326 - White Aluminium is 62067</p>	<p><b>3238</b></p> <p>1020 mm</p> <p>Exhaust 565 575 590 Black Enamel 265 290 Clamp to Suit 1326</p>	<p><b>6312</b></p> <p>610 mm</p> <p>55 mm</p> <p>Exhaust 50HX Modified End</p>
--	--	--

## Exhaust Elbow Gasket

**194742**

Exhaust Elbow Gasket 165 168  
188 265 Also Fits 275 290 390 690

## Manifolds

<p><b>37781781</b></p> <p>Exhaust Manifold 165 168 188 265 New Type Also fits 275 290</p>	<p><b>62541</b></p> <p>Manifold Lower 165 212E *** ELBOW 53206 ***</p>
---	--

## Manifold Gasket

**36862134**

Exhaust Manifold Gasket 212  
236 248 165 168 188 265 275  
Also Fits 290 390 565 575 590  
690

## Cooling

### Hose Top

62250



Hose Top 50HXT 60HXT

### Hose Bottom

62251



Hose Bottom 50HXT 60HXT

## Various Models

### Hose Top

52690



Hose Top Manitou - Various Models

52693



Hose Top Manitou - Various Models

### Hose Bottom

52691



Hose Bottom Manitou - Various Models

52692



Hose Bottom Manitou - Various Models

## Fan Belt

62963



Fan Belt 50E 50EX 50HX Case 743 845  
13 x 1325 856

2260



Fan Belt 240 Leyland - 13 X 1300 Massey Ferguson 50B, Leyland Alternator Model

## Filter Kits

**61674**



Filter Kit 50H HX HXS

**61687**



Filter Kit 50HXT 60HXT

**61676**



Filter Kit Fermec 860 (up to '96)

**61677**



Filter Kit Fermec 860 (from '96-'99)

## 40/50/50B/50D/ 50HX/HXT/HXS Filters

**36862558**

Filter Elbow Gasket 50B



**37764191**

Oil Filter Head 50B/50D



**1693715**



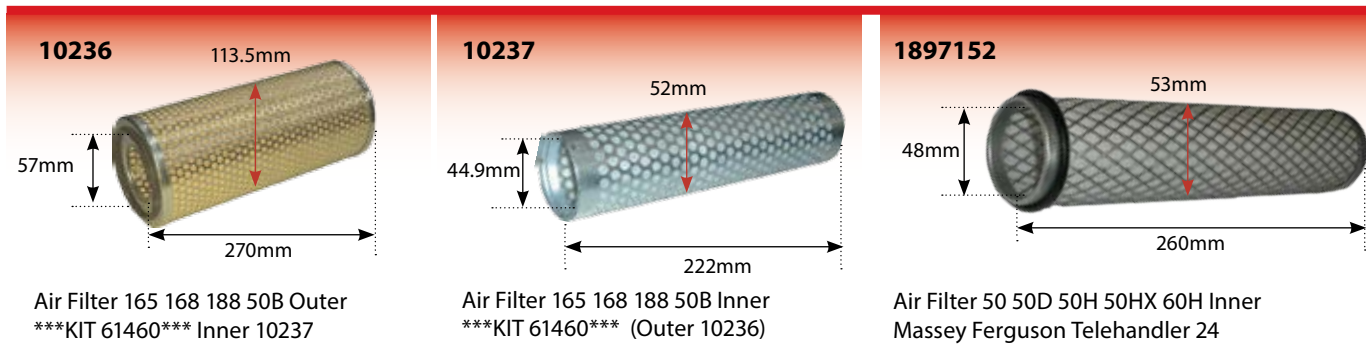
Hydraulic Pressure Filter 50HX 50HXT 50HXS

**1687647**



Suction Filter 50HX 50HXT 50HXS Power Steerin

## Air Filters



## Hydraulic Filters



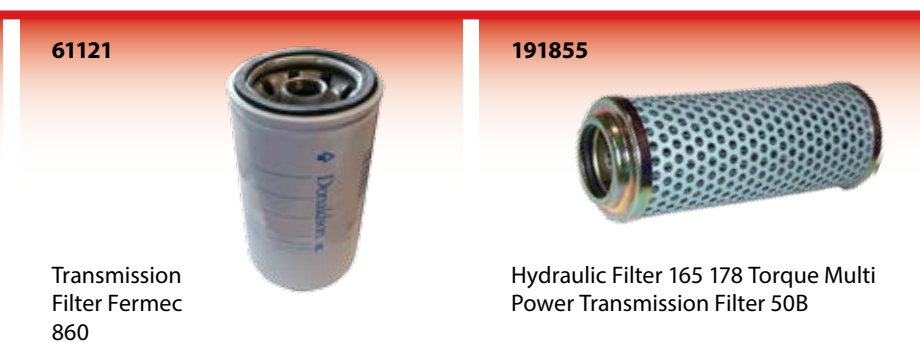
## Fuel Filters



## Oil Filter



## Transmission Filter



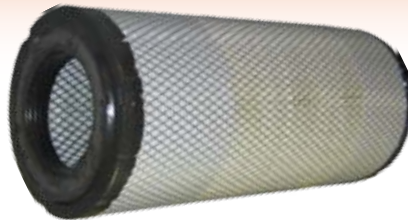
## Fermec 860 Filters

**61273**



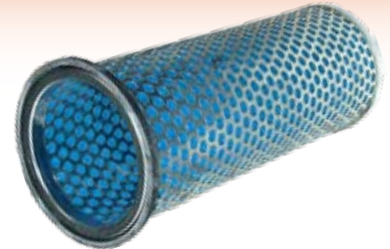
Air Filter Fermec 860 Outer -  
Up to 98 Also Fits 50HX 300's

**7033**



Air Filter Fiat 80-90 100-90  
Outer Inner 2450 Fermec 860  
(Kit 7330) MF 393TLX 394TA  
5425 5435 5445

**6068**



Air Filter 390 390T 398 399 Inner  
\*\*Kit 61408\*\* (Outer 6067)

**1693715**



50HX/HXT/HXS  
Pressure Filter

**61121**



Massey Ferguson 860  
Transmission Filter

**2218**



Massey Ferguson 860  
Hydraulic Filter

**2654403**



860 Engine Oil Filter

**1782**



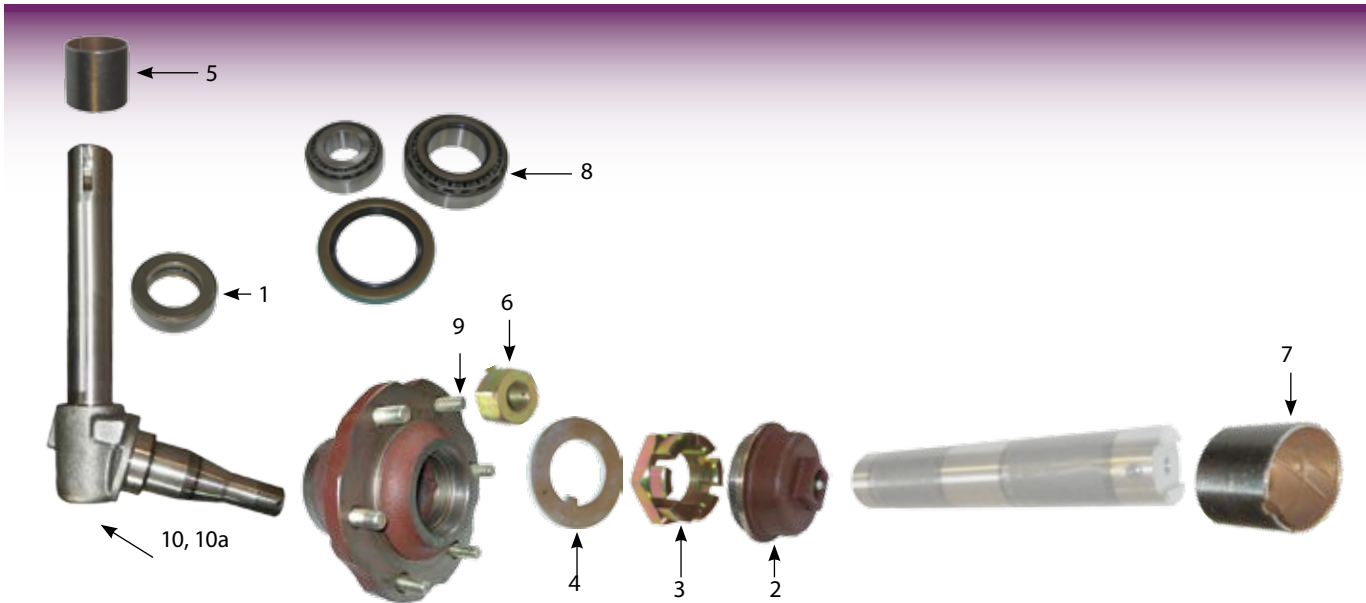
860 Fuel Filter

**1782B**



860 Fuel Filter Old Style

## 50B Front Axle Parts



- 1. **832961** Stub Axle Bearing 50B 1 3/4"
- 2. **882265** Hub Cap 50B
- 3. **882263** Stub Axle Nut Heavy Duty 1 1/4"
- 4. **881384** Stub Axle Washer H/D Axle
- 5. **882327** Stub Axle Bush 50 & 50B 390 390T
- 6. **184273** Wheel Nut 165 168 Dexta Rear Narrow
- 7. **897712** Bush Front Axle 165 188 - 50mm Long
- 8. **1304** Wheel Bearing Kit 50B
- 9. **893017** Wheel Stud 165 188 Rear 5/8 X 2 UNF
- 10. **882256** Spindle 50 50B RH [OE Ref: 882256M92](#)
- 10a. **882257** Spindle 50 50B LH [OE Ref: 882257M92](#)

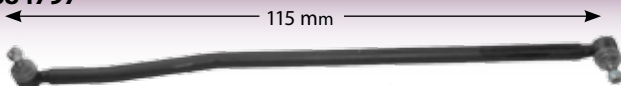
**882261**  
Hub Seal 50/50B Front  
(WRM217)



**2580/2523S**  
Bearing for 50B Kit  
No. 1304



**884797**



Drag Link 165 185 50B Track Rod End Also fits 265 275 290

**886802**



Track Rod End 165 50B  
Screw in

**847440**



Track Rod End 50 50B LH \*\* RH is 847423 \*\*

**847423**



Track Rod End 50 50B RH \*\* LH is 847440 \*\*

**6579**



Track Rod End  
50HX 4WD LH

**6580**



Track Rod End 50HX  
4WD RH

**847417**

Wheel Nut 590  
Rear 11/16'



847416  
Wheel Stud 590 Rear  
11/16'



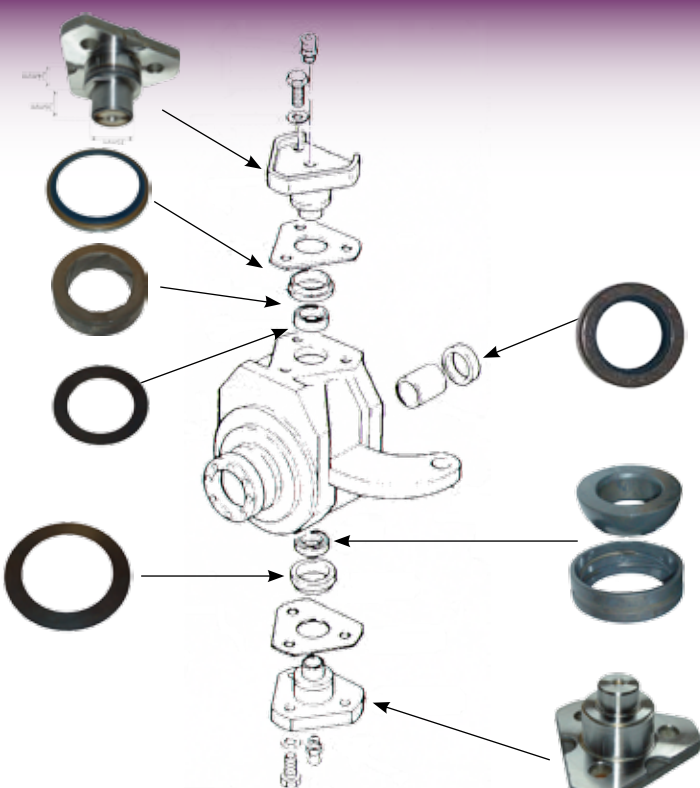
**51053**



Ram Pin Repair Kit  
50HX P/S



## 860 4WD Carraro Front Axle



**61394**  
Stub Axle Pivot Bearing  
Fermac 860 Upper

**61387**  
Stub Axle Bearing Seal 50HX

**409824**  
Stub Axle Bearing Ford 40  
Carraro 860 50HX

**61391**  
Stub Axle Pivot Shim 860  
50HX Upper

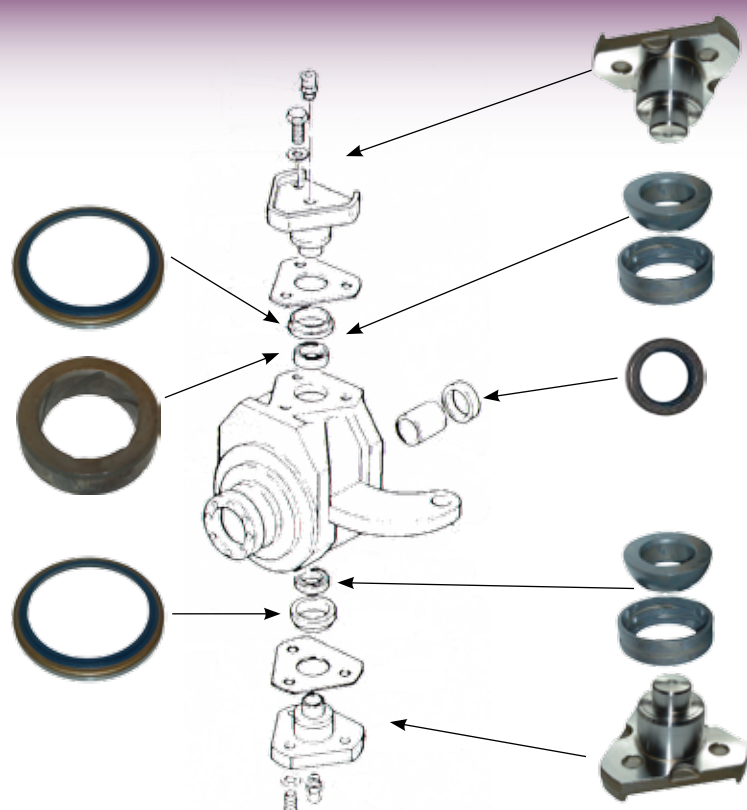
**61393**  
Stub Axle Pivot Shim  
860 50HX Lower

**61229**  
Seal 398 399 4WD  
Front Axle Hous-  
ing 3000 42s 43s  
61s 62s Ford 10 40's  
35x52x16m

**1182**  
Stub Axle Bearing Carraro  
Ford 4WD/50HX

**61395**  
Stub Axle Pivot Bearing 860  
Lower

## 50HX 4WD Carraro Front Axle



**61387**  
Stub Axle Bearing Seal 50HX

**409824**  
Stub Axle Bearing Ford 40  
Carraro 860 50HX

**61387**  
50HX Stub Axle Bearing Seal

**409823** Pivit Ford 40's  
/ Case Carraro Lower  
Also Case CX70/80/90  
5120-50 / 580 50HX

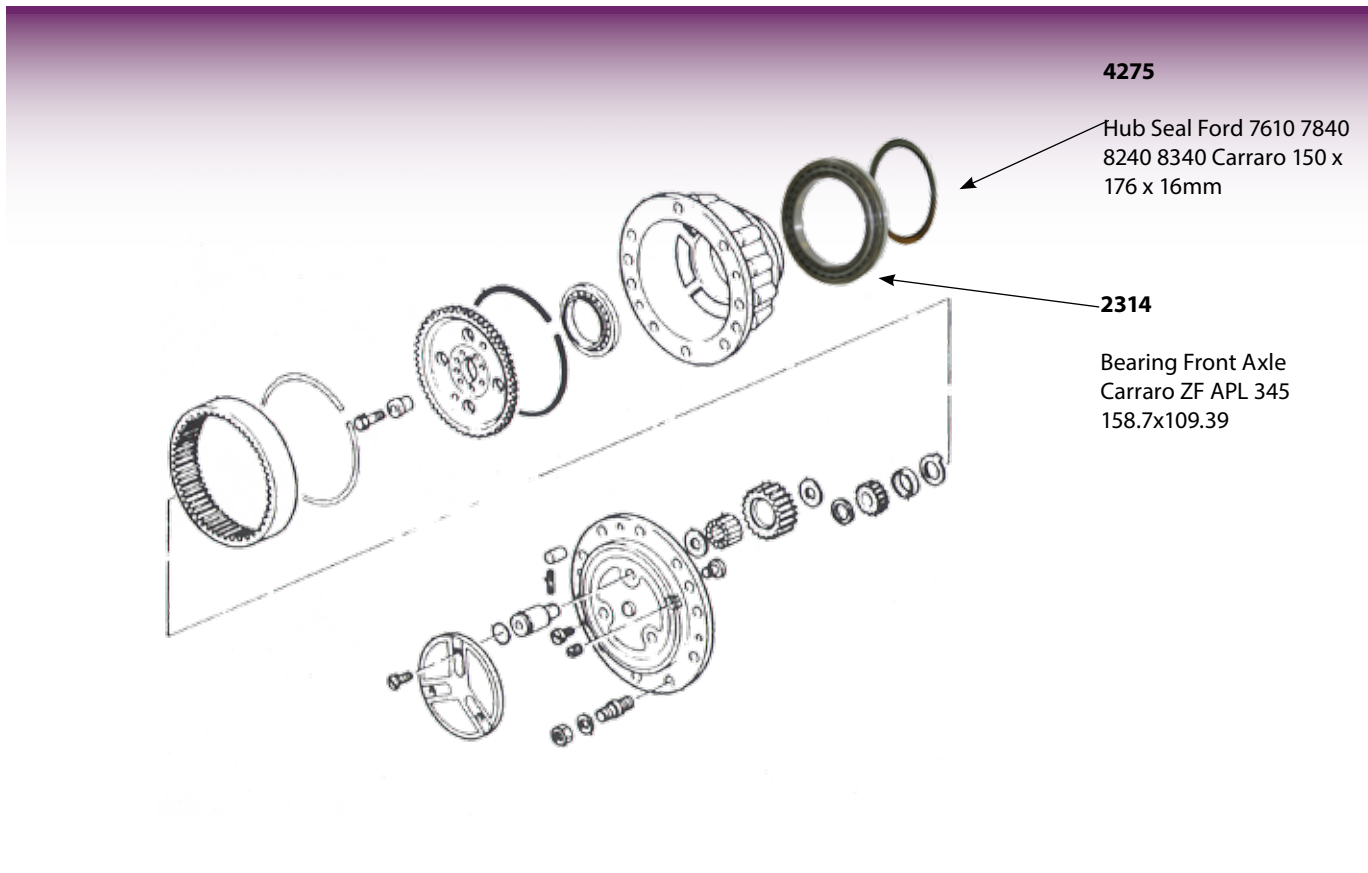
**1182** Ford 4WD/50HX  
Stub Bearing Carrero

**61229** 860 F/Axle 4WD  
Housing Seal 35X52X16

**1182** Ford 4WD/50HX  
Stub Bearing Carrero

**409823** Pivit Ford 40's  
/ Case Carraro Lower  
Also Case CX70/80/90  
5120-50 / 580 50HX

## 4WD Carraro 50HZX/860



**4275**

Hub Seal Ford 7610 7840  
8240 8340 Carraro 150 x  
176 x 16mm

**2314**

Bearing Front Axle  
Carraro ZF APL 345  
158.7x109.39

**61229**

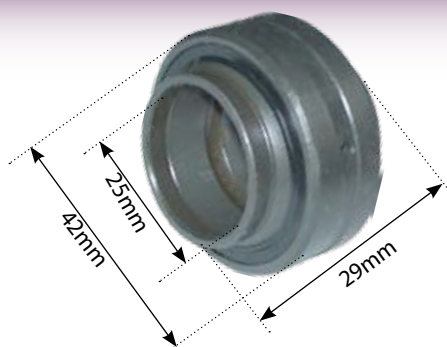
Front Axle Housing Seal 398 399  
4WD 3000 42S 43S 61S 62S Ford 10  
40's 35x52x16m AG85 Axle up to  
L14073/12481CM AG105 Axle up to  
L11040/10739CM



### Inner Hub Seal

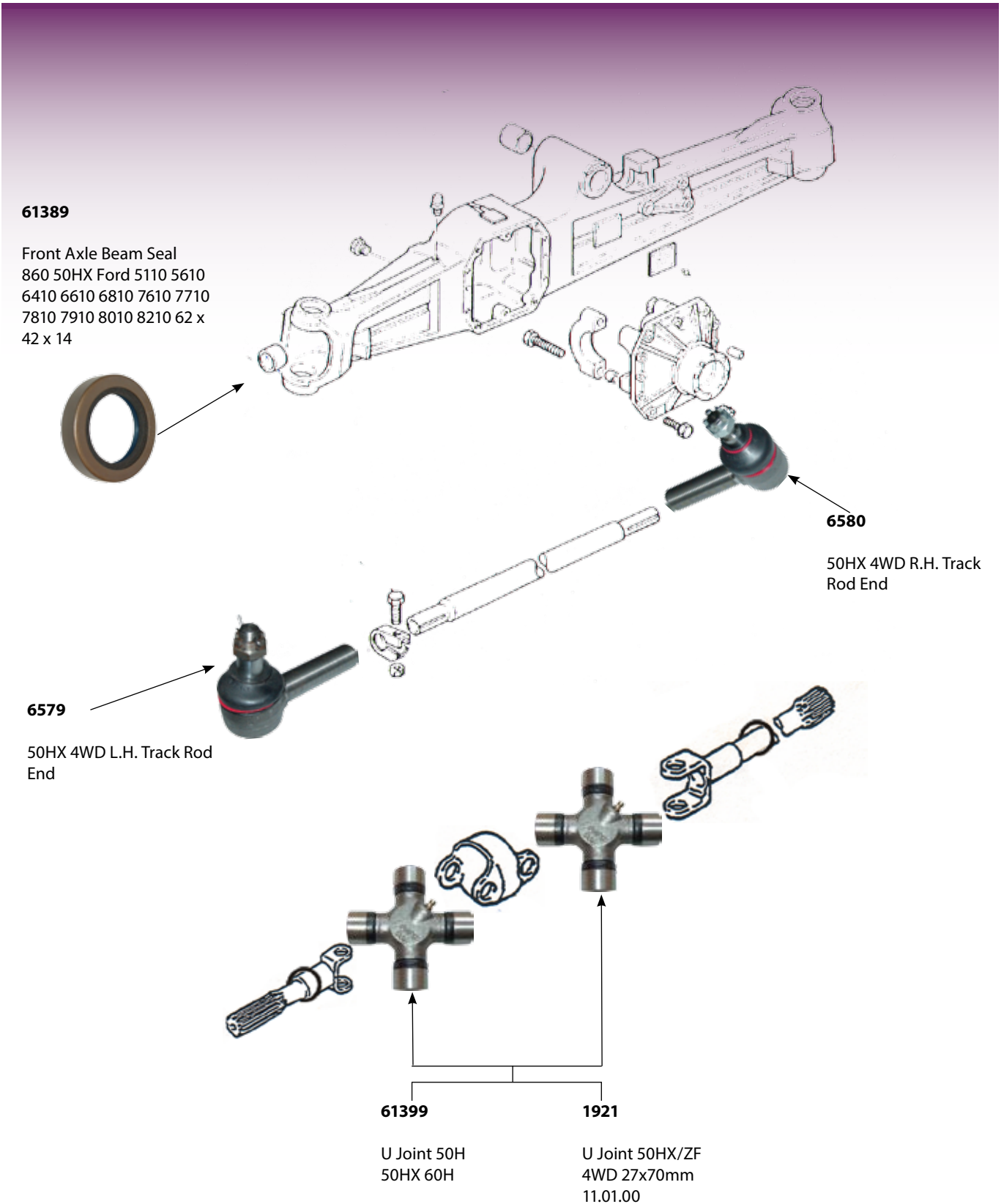
**6974**

Power Steering Ram End  
Bearing 50HX

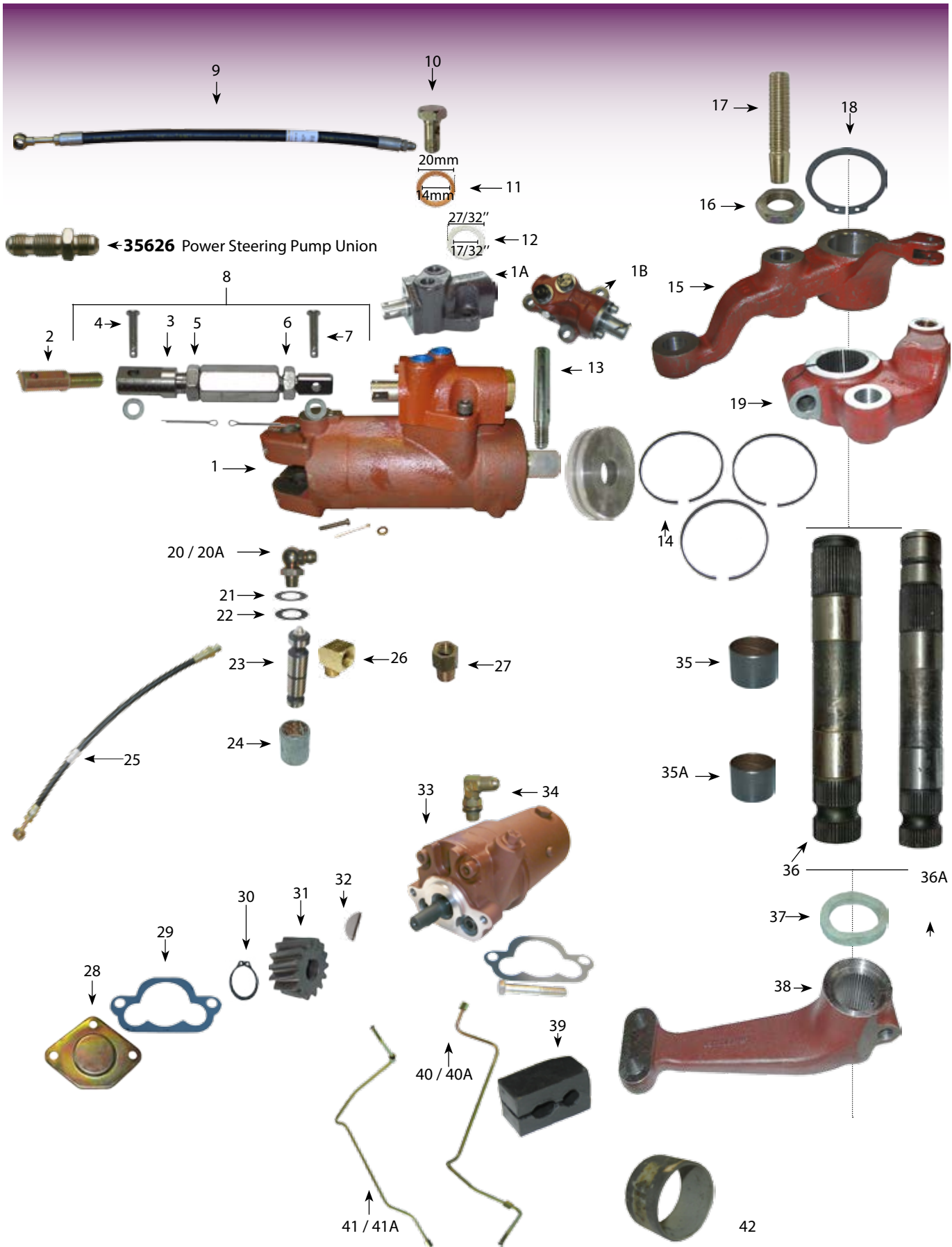


### Bearing

## 50HZX/860 Front Axle Housing



## Massey Ferguson 165-188 P/S Components 165-188 P/S Components



## Massey Ferguson 165-188 P/S Components

### 165-188 P/S Components

- |      |                 |  |   |
|------|-----------------|--|---|
| 1.   | <b>1853466</b>  | Power Steering Cylinder 100s   | <b>882780</b>   |
| 1A.  | <b>6996</b>     | Valve Power Steering 165-690   | Spacer Power Steering Kit   |
| 1B.  | <b>62810</b>    | Valve Power Steering 165-690   |   |
| 2.   | <b>881728</b>   | P/S Small Adjuster for turn buckle 100   |   |
| 3.   | <b>881729</b>   | Power Steering Control Valve Adj. (Large)  |   |
| 4.   | <b>188909</b>   | Power Steering Adjuster Pin - Large  |  |
| 5.   | <b>353430</b>   | Nut Nyloc 3/8' UNF Zinc & Yellow   |   |
| 6.   | <b>355565</b>   | Nut 5/16' UNC Heavy Zinc & Yellow  |   |
| 7.   | <b>1830319</b>  | Power Steering End Pin Small   |   |
| 8.   | <b>3837</b>     | Power Steering Turn Buckle Ass c/o Pins 165 265 290 ** Hardened Pins and Ends ** |   |
| 9.   | <b>897153</b>   | Pipe Power Steering 165 185 188 Flexy Also fits 265 285 290                      |   |
| 10.  | <b>828577</b>   | Banjo Bolt for Top P/S Ram 1/2" JIC  |   |
| 11.  | <b>828498</b>   | Power Steering Banjo Bolt Sealing Washer ID 14mm OD 20mm Thickness 1.5mm         |   |
| 12.  | <b>891785</b>   | Washer 165 185 Steering Banjo Bolt Sealing ID 17/32" OD 27/32"                   |   |
| 13.  | <b>898366</b>   | Pin Ram to Casting for Power Steering  |   |
| 14.  | <b>6544</b>     | Piston Ring Kit 100 Power Steering Ram   |   |
| 15.  | <b>898358</b>   | Power Steering Arm Upper Non Splined 165 - 188 265 - 290 50 50B                  |   |
| 16.  | <b>364172</b>   | P/S Tapered Pin 3/4 UNF Half Nut   |   |
| 17.  | <b>182725</b>   | Power Steering Pin 165 188   |   |
| 18.  | <b>355917</b>   | Power Steering Shaft Circlip   |   |
| 19.  | <b>898355</b>   | Power Steering Bracket 165 290 Splined Upper                                     |   |
| 20.  | <b>29958X</b>   | Grease Nipple 1/4" 45° UNF   |   |
| 20A. | <b>1694</b>     | Hydraulic Nipple 1/4' 90' UNF  |   |
| 21.  | <b>829259</b>   | Power Steering Ram Pin Shim 0.50mm Fits 165 168 175 178 185 188 265 275 285      |   |
| 22.  | <b>829258</b>   | Power Steering Ram Pin Shim  |   |
| 23.  | <b>898363</b>   | Power Steering Ram to Bracket Shaft  |   |
| 24.  | <b>190560</b>   | Bush for Splined Bracket Steering Linkage 65                                     |   |
| 25.  | <b>62762</b>    | Pipe Power Steering Greaser 275 290 690  |   |
| 26.  | <b>62699</b>    | Elbow Power Steering Ram Bracket Shaft 5/600                                     |   |
| 27.  | <b>377781</b>   | Power Steering Pump Elbow  |   |
| 28.  | <b>37556148</b> | Power Steering Pump Blanking Plate   |   |
| 29.  | <b>1833974</b>  | Gasket 212 236 248 Power Steering Pump   |   |
| 30.  | <b>355791</b>   | Circlip for P/S Pump   |   |
| 31.  | <b>897159</b>   | Gear Power Steering Pump 165 185 188 Also fits 265 285 290 565 590 690           |   |
| 32.  | <b>2957X</b>    | Woodruff Key For Power Steering Pump   |   |
| 33.  | <b>897146</b>   | Pump 212 236 248 Power Steering 165 to 188 & 265 to 298 & 565 to 590 50 50B      |   |
| 34.  | <b>357197</b>   | Steering Elbow 200 & Ford  |   |
| 35.  | <b>659925</b>   | Bush Power Steering Shaft - Reamed   |   |
| 35A. | <b>897235</b>   | Power Steering Shaft Bush Unreamed   |   |
| 36.  | <b>898023</b>   | Steering Shaft 165 Manual Also fits 600 500 290 265 275 hydrostatic              |   |
| 36A. | <b>898359</b>   | Power Steering Shaft 165 188 275 290   |   |
| 37.  | <b>196079</b>   | Fibre Seal for P/S Shaft   |   |
| 38.  | <b>897923</b>   | Power Steering Arm 165 290 Splined Lower   |   |
| 39.  | <b>898744</b>   | Power Steering Pipe Retaining Grommet  |   |
| 40.  | <b>1833927</b>  | Power Steering Pipe 188 Bottom Steel   |   |
| 40A. | <b>882773</b>   | Pipe 165 Power Steering - Bottom Steel   |   |
| 41.  | <b>1833925</b>  | Power Steering Pipe 188 Top Steel  |   |
| 41A. | <b>882775</b>   | Pipe 165 Power Steering - Top Steel  |   |
| 42.  | <b>196077</b>   | Bush Power Steering 175  |   |

**3257**

Power Steering Pipe  
Bottom Flexy



**62124**

Bracket 165 for Power  
Steering Kit



**62126**

Clip 165 for Power  
Steering Kit



**61872**

Steering Arm 165 - 188 265 -  
290 Upper Manual



**1685031**

Torque & Power Steering  
Pump 50H 50HX 60HX



**1685031R**

Torque & Power Steering Pump 50H  
50HX 60HX OE Ref: 1691156M91



**1829457**

Power Steering Kit 165  
185 - Big Engine \*\* 63178  
includes 203 Pump \*\*



## Work Lamps

**62750**



Work Lamp Oval 54s 64s 74s

**2324**



Work Lamp Cab H3 Single Mounted 6"x3.5"

**3179**



Work Lamp H3 12V Square

**1716**



Rear Combination Lamp 12v Flat PAIR 185mm x 67mm x 50mm

**52621**



Head Lamp JCB New Type c/o bulbs and 30cm Fitted Cable

**52620**



Head Lamp JCB New Type with Original Connection

**52827**



Rear Lamp Case JCB 3CX

## Isolation Switches

**2303**



Cut Off Isolation Switch Lucas - Up to 165

**2703**



Indicator Switch 135 148 165 188 240 285 290 50 50B 50H 50HX

**2923**



Cut Off Isolation Switch - Heavy Duty (up to 165)

**3875**



Cut Off Isolation Switch Amp Heavy Duty Max Peak Load 12/24V 2500A for 5 Seconds

**51896**



Key For Cut Off Isolation Switch 24V 2500 Amp HD \*\*To Suit Our Ref 3875\*\*

## Warning Lights

**1839**



Lamp Warning Amber Dash Mounted

**3101**



Lamp Warning Green Dash Mounted

**1844**



Lamp Warning Blue Dash Mounted

**1259**



Lamp Warning Red 12v 4W for Alternator

**51091**



Red Indicator Chrome Housing

**2613**



Light Amber Warning 12v 13mm Hole

**1314**



Light Red Warning 12v -13mm Hole

**62039**



Wiper Blade John Deere 6000 6100 6020 Front 600 mm Also fits 50HX

**4556**



Relay 12v Normally Open 40A

## Beacons

<p><b>51320</b></p>  <p>Beacon 12V Magnetic c/w Bulb Lucas Type</p>	<p><b>51332</b></p>  <p>Beacon 12-80v Mini Xenon</p>	<p><b>59624</b></p>  <p>Beacon John Deere 12v Flexi Stem Small</p>	<p><b>51321</b></p>  <p>Beacon 12v Flexi Stem Lucas Type</p>	<p><b>53357</b></p>  <p>Beacon LED Flexi 12/24V</p>	<p><b>53358</b></p>  <p>** USE 53855 WHEN STOCK GONE **</p>
--	---	---	---	--	--

<p><b>43190K</b> Beacon Work Lamp Bracket Kit Left Side</p> <p>Kit includes:</p> <ul style="list-style-type: none"> <li>• Beacon Bracket Assembly</li> <li>• Work Lamp 8 LED 24W Flood 1920 Lumen</li> <li>• Flexi Beacon</li> </ul> 	<p><b>53857</b> Beacon Kit</p> <p>Includes: Beacon, Bracket, Wiring, Fuse &amp; Switch</p> 	<p><b>43592</b> Beacon Kit T6.120 - T6.175 T6010 - T6090 T7.170 OE Ref: 710762034</p> <p>Includes: Beacon, Cable Connections, Bolt Fixing Set, Beacon Pole, Brackets</p> 
--	---	--

## Brackets

<p><b>51388</b> Beacon Bracket Spring Loaded</p> 	<p><b>51388B</b> Bracket Angled for 51388 Beacon Bracket 42 43 61 62 81 82</p> 	<p><b>43190</b> Beacon Bracket Assembly Ford 5640 6640 7740 7840 8240 8340 LH</p> <p><b>43501</b> Beacon Bracket Assembly Ford 5640 6640 7740 7840 8240 8340 RH</p> 	
<p><b>3686</b> Beacon Bracket</p> 	<p><b>51034</b> Beacon Bracket Adjustable</p> 	<p><b>3680</b> Beacon Plug</p> 	<p><b>51417</b> Beacon Bracket John Deere</p> 
<p><b>51422</b> Beacon Bracket</p> 	<p><b>51387</b> Beacon Bracket</p> 	<p><b>3687</b> Beacon Bracket</p> 	<p><b>51421</b> Beacon Bracket Adaptor</p> 

## 40/50/50B Components

### Clutch Disc 12"

887869



Clutch Kit Massey Ferguson 50B (LUK)

887890



Clutch Disc 135 165 - 12" Main Drive Bronze 178 185 188 240 265 285 290 675 690 50B 10 Splines  
\*\* Kit is 887869 \*\*

53791828123

53791 Clutch Kit Barford SX2000 SX3000 SXR3000 Thwaites 1.5 Tonne 2 Tonne 3 Tonne 4 Tonne  
OE Ref: 500 1137 10 Bearing



### 11" Sintered

185892



Disc 40 11" Main Drive Bronze 10 Spl

3569



Clutch Release Bearing KOYO Dual

828123



Spigot Shaft Bearing (All Models)

1456238



Front Pulley Plate Bushing 50B 50B 50D 50H 50HXS 50HXT 60H 60HS 60HXS

51407



Shuttle Button 50HX



## 50B Torque Converter

837485



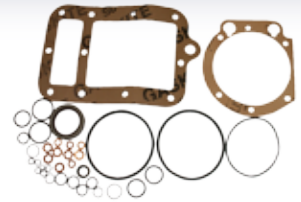
Housing Valve Kit 50B  
Torque Distance

2518177



Torque Bush 50B

830979



Torque Seal Kit 50B



1. **1754392** O Ring
2. **530718** Torque Pump
3. **1013166** 50B Torque Pump Seal

1754394

Torque Sealing Ring Large 50 50B  
(3 required per tractor)



1754402

Torque Sealing Ring Medium 50 50B  
4 required per tractor



1754395

Small Ring 50B Torque  
2 required per tractor



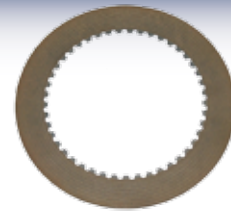
## 50B/50D Torque Converter

1754344

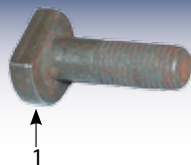


Clutch Plate Torque Box 50B 12  
required per tractor

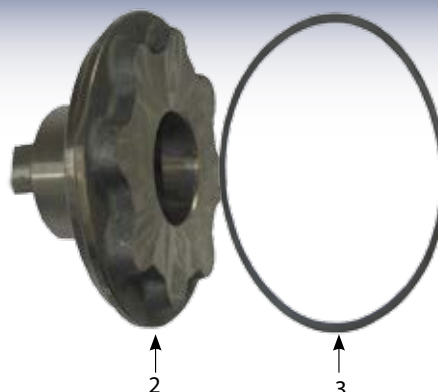
1754345



Bronze Torque Plate 50/50B 12  
required per tractor



1. **1754436** Stud
2. **1754427** Torque Converter Drive Hub
3. **1754435** "O" Ring Torque Converter



62980



Counter Shaft Multi-power  
100 200 500

1868535



Transmission Shaft  
50 50B Bottom

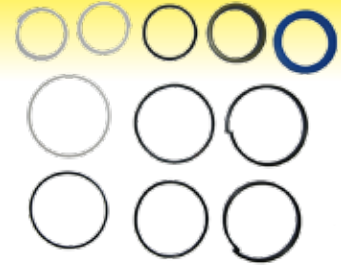
## 50/50B/50HX Ram Seal Kits

**1810252**



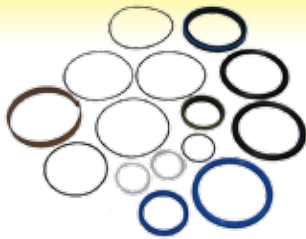
Seal Kit 50B Lift Ram

**1606583**



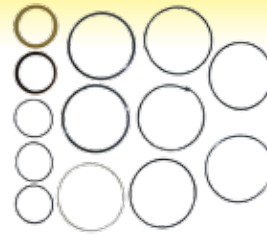
Lift Ram 2 Way 3' Seal Kit

**1607427**



Boom Ram Kit 4 1/4' Barrell

**HK118**



Seal Kit 50 50B 252 Boom Ram

**1606502**



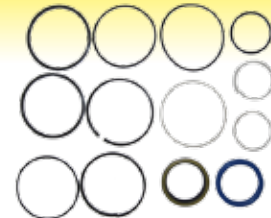
Bucket Ram 2 Way 2 1/2" Seal Kit

**1810056**



Bucket Ram Kit 50B Lock Nut

**1606737**



Bucket Ram Kit (Lock Wire)

**HK313**



Seal Kit Clamp-All Massey Ferguson Digge

**871315**



Bush 50 50B Long

**871705**



Bush 50 Bucket Short

## 40/50/50B/HX/60HX Hydraulic Parts

**1456340** Hydraulic Pump Drive Shaft 50B



**1459908**

Hydraulic Pump Drive Shaft 50



**1475893**

Hydraulic Pump Drive Shaft Massey Ferguson30E Also fits 40E 13 splines and 290mm long



**4376**

Splines for 1459908 - 13 Splines



**1941**

Hydraulic Pump 40  
Flow 10.5 imp Gal. @  
1500 RPM



**1018**

Hydraulic Pump 50  
Flow 15.8 imp Gal. @  
1500 RPM 13 Splined



**1456237**  
Front Pulley Plate 50 50B \*\*  
Bolt for 40 is 64488 \*\*  
[OE Ref: 1456237M1](#)



**1456238**  
Front Pulley Plate Bushing 50B  
50B 50D 50H 50HXS 50HXT 60H  
60HS 60HXS



**64488**  
Bolt 40 50 Hydraulic Pump  
Plate 3/8 x 1 1/2 UNC c/o  
Shoulder

## 40/50/50B/3303 Slew Motor Bearings & Seals

**1889528**

Seal Slew Motor Black



**1897386**

O Ring Spool Valve  
50B Small



**2306**

O Ring 40 Slew  
Motor



**1888302**

Slew Motor Ring  
50B



**871332**

Seal Slew Motor 50B  
127X90X12.5



**871333**

Slew Motor Bearing  
50B 120X65X23



## 50B/50HX/HXS/860 Brakes And Throttle Parts

**6814**



Brake Master Cylinder  
50H HX HXS

All 50'S Dot 3 Brake Fluid

**6266**



Repair Kit 50H HX HXS  
Brake Master Cylinder

**62837**



Brake Master Cylinder Fer-  
mec 860

**61407**



Repair Kit 860 Brake  
Master Cylinder

**61699**



Repair Kit Fermecc 860 Brake  
Master Cylinder

**4628**



Repair Kit 300 Brake Slave  
Cylinder - Late  
Also fits 4200 4300  
For 62751 & 62752

**6233**



Brake Slave Cylinder 290 298 600 - Com-  
plete 590 675 690 698 698T 699 50HX \*\*  
Seal Kit is 45634 \*\* Master Cylinder 6093

**45634**



Repair Kit 600 Brake Slave Cylinder  
\*\* Slave Cylinder is 6233 \*\*

**1860964**



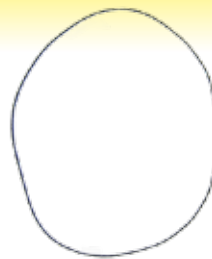
Brake Disc Wet Bronze  
10 Per Tractor 8.75"  
50B 42 Series Early Type

**1860965**



Steel Plate Wet Brakes 6 Per Trac-  
tor Fits Massey Ferguson 100 200  
300 500 600 Seri 50B 227mm 9"

**1860838**



Square Axle "O" Rings  
240 399 42s 43s

**1860959**



Boot Seal Wet Brakes

## Hand Brake Cables

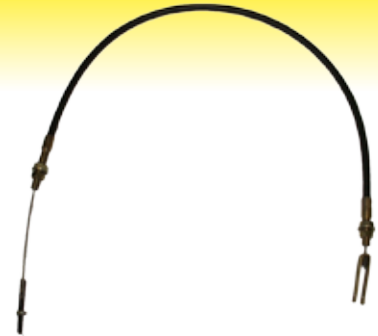
6810

All 860'S LHM Brake Oil



Hand Brake Cable  
50HX

3657



Hand Brake Cable 50B

51577



Stopper Cable 3 mtr

## Stopper Cable

2678



Hand Throttle Cable 50HX 2260mm

## Hand Throttle Cable

2662




Foot Throttle Cable 50HX 50HXS -  
Injector Pum


## Foot Throttle Cable

## Contents


---

<b>Filters</b>	ind 35	
Fuel Filters	ind 35	
Oil Filters	ind 35	
Air Filters	ind 35	
Hydraulic Filters	ind 35	


---

<b>Axle Parts</b>	ind 36	
580F 580G Axle Parts	ind 36	


---

<b>Bolts, Nut &amp; Bearings</b>	ind 36	
Wheel Bearings	ind 36	
Spindle Bearing	ind 36	

---

<b>Brakes, Hydraulics &amp; Linkage</b>	ind 36	
Hydraulic Parts	ind 36	
Brake Parts	ind 36	

---

<b>Clutch, Transmission &amp; PTO</b>	ind 37	
580F/G Warner Transmission	ind 37	

## Fuel Filters

4899



Case Maxxum/Magnum  
Fuel Water Separator  
Filter

3082



Fuel Filter  
IHC Fiat Ford 40 T's DX4

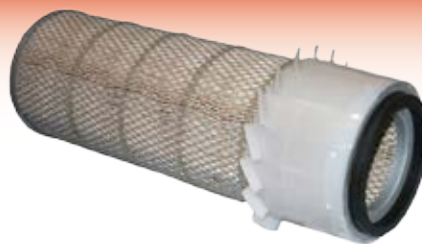
4898



Engine Oil Filter Case 580K/  
Maxxum

## Oil Filters

2701



580K Outer Air Filter

## Air Filters

2218



580G/50HX/HXT/HXS  
Hydraulic Filter

## Hydraulic Filters

## 580F & 580G Axle Parts

2459



Track Rod End Case 580F LH Stabiliser

2043



Track Rod End Case 580F Digger - Ram

2460



Track Rod End Case 580F RH Stabiliser

## Bolts, Nut & Bearings

### Wheel Bearings

1707



Wheel Bearing Kit Case 580F 580G

JLM506849/10



Wheel Bearing Case 580F/G Inner

J3216



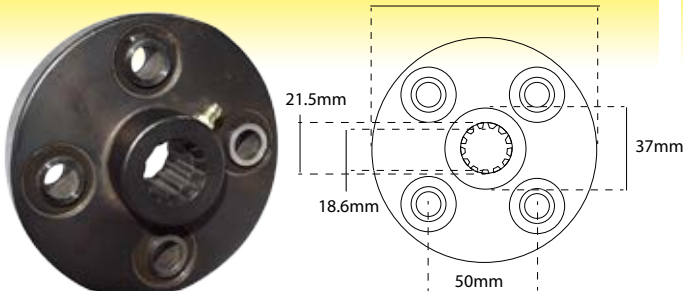
Spindle Bearing Case 580F/G

### Spindle Bearings

## Brakes, Linkage & Hydraulics

### Hydraulic Parts

2456



**2456** Hydraulic Pump Drive Coupling 580F/G  
Case 13 Spline - 50mm Centre to Centre Hole 12 Splines  
D140524

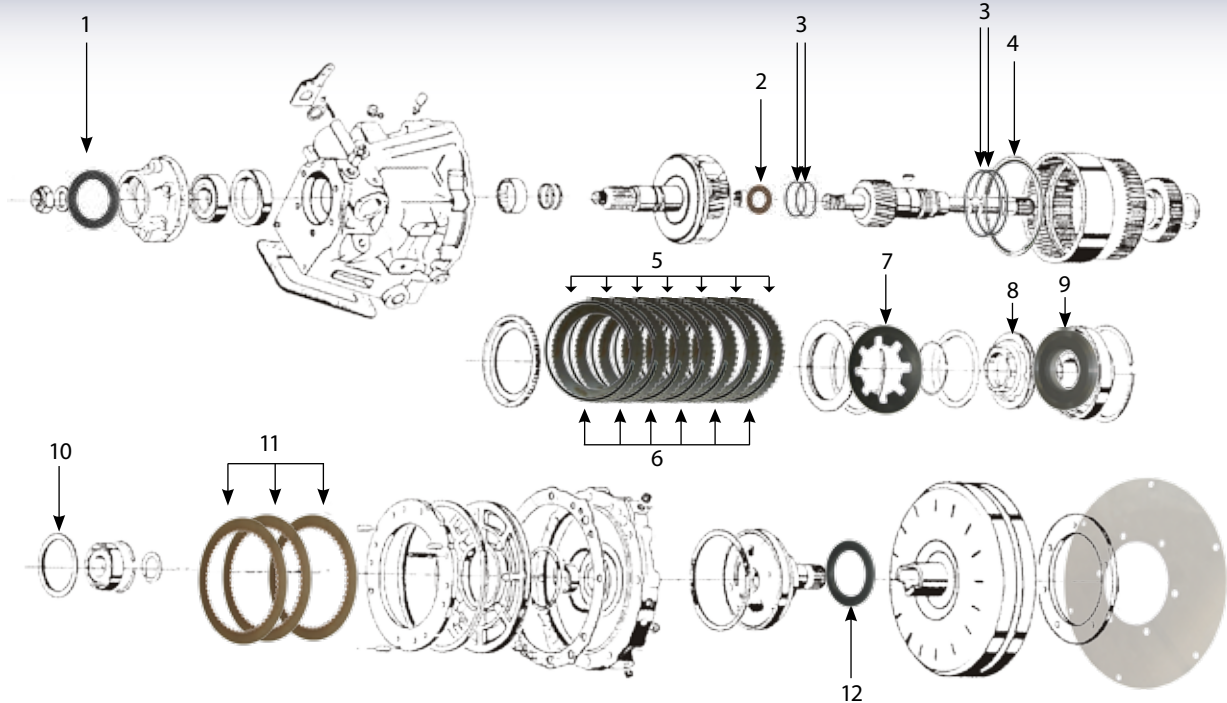
4409



Brake Disc Case 580G/DB 1390



## 580F/G Warner Transmissions



- |     |               |                               |
|-----|---------------|-------------------------------|
| 1.  | <b>WG709</b>  | Oil Seal                      |
| 2.  | <b>WG7W2</b>  | Case Thrust Washer            |
| 3.  | <b>WG7RS1</b> | Case Piston Ring Kit          |
| 4.  | <b>WG7P6A</b> | Case Snap Ring Selective      |
|     | <b>WG7P6D</b> | Case Snap Ring Selective      |
| 5.  | <b>WG7C3</b>  | Case Clutch Plate (7 Per Set) |
| 6.  | <b>WG7C4</b>  | Case Clutch Plate (6 Per Set) |
| 7.  | <b>Wg7x10</b> | Case Spring                   |
| 8.  | <b>WG7X8</b>  | Case Piston                   |
| 9.  | <b>WG7X7</b>  | Case Piston Chamber           |
| 10. | <b>WG7W1</b>  | Case Thrust Washer            |
| 11. | <b>WG7C1</b>  | Case Clutch Plate (3 Per Set) |
| 12. | <b>WG708</b>  | Oil Seal                      |

### WG7051



JCB Seal Kit

### 2878



Late 550 + Funk Trans.  
Disc

## Contents

---

### **Filters** ind 39

Air Filters ind 39

Hydraulic Filters ind 39

Servo Filter ind 40

Coolant/Oil/Fuel Filters ind 40

---

### **Cab, Sheet Metal & Electrical** ind 41

Alternators ind 41

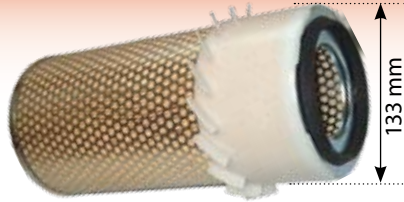
Starters ind41

Exhausts ind42

## Air Filter Kits

**1659**

Air Filter  
Hitachi EX60



**53427**

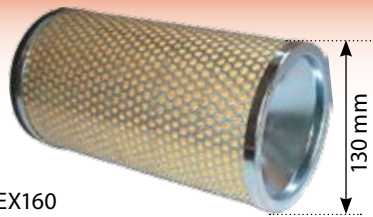
Air Filter Hitachi EX100



## 3976 Kit

**1477**

Air Filter Hitachi EX100 EX160  
Inner



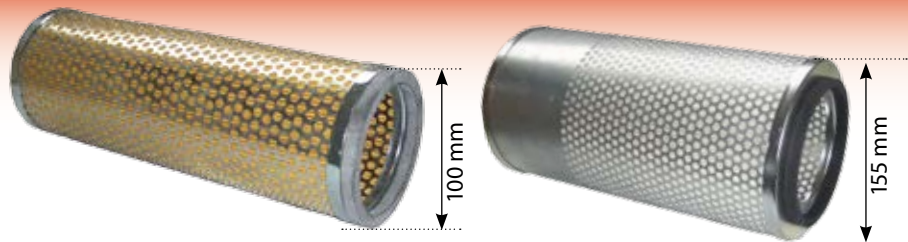
**1476**

Air Filter Hitachi  
EX100 EX160  
Outer



## 3977 Kit

Air Filter Kit Hitachi EX100/M



## Hydraulic Filters

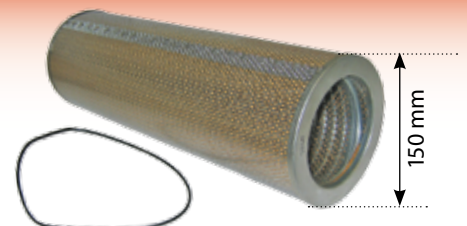
**3523**

Hydraulic Filter EX100 120 FH120  
FH130 457 mm long



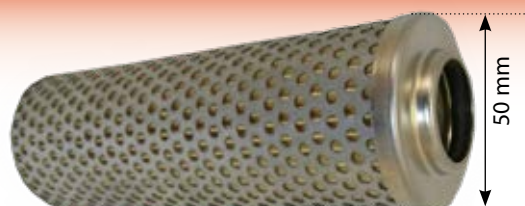
**3975**

Hydraulic Filter Hitachi EX200



**3524**

SERVO FILTER EX100 120  
FH120-130



## Servo Filter

## Coolant/Oil/Fuel Filters

4905



Water Coolant Filter Ford/Case  
Maxxum 885xl

1248



Oil Filter Hitachi EX200

1435



Engine Oil Filter Hitachi  
EX100 EX120

53721

Oil Filter Hitachi ZX Series  
OE Ref: 4448336

3533



Oil Filter Hitachi  
EX120/2 By-pass

3522



Separator Filter Hitachi  
EX180

2715



Fuel Filter Hitachi

1363



Fuel Filter Takeuchi  
Mitsubishi Cat

2147



Fuel Filter Hitachi EX100  
WD EX200

3362



Fuel Filter Hitachi EX100  
120 UH063



53720  
Fuel Filter Hitachi  
ZX Series  
OE Ref: 4676385

51211



Filer Pre Filter Water Separator (3.6")  
Reverse Flow 150 Micron Caterpillar

1348



Fuel Filter Hitachi 5022

51367



Engine Oil Filter Isuzu Engine -  
Hitachi Sumitome Case

## Alternators

**53377**

Alternator Hitachi EX120



## Starters

**59435**

Starter Hitachi EX30



## Regulator

**53694**

Switch Master 24V 120 Amp Hitachi Digger  
Oe Ref: 235817



## Mirror

**6854001**

Mirror Complete Fiat  
Hitachi  
(180x236mm)



## Starters Cummins & Caterpillar

**51411**

Starter Cummins  
24V



**51413**

Starter Caterpillar  
24V



## Exhausts

### EX120

**53866**  
Exhaust Box EX120 MK1  
OE Ref: L1191187



**53863**  
Exhaust Turbo Pipe EX120 MK1  
OE Ref: 8035871



### EX60

**53868**  
Exhaust Box Hitachi EX60 URG  
OE Ref: 4234568



**53871**  
Exhaust Box Hitachi EX60  
MK1  
OE Ref: 41196421



**53867**  
Exhaust Stack Pipe  
Hitachi EX60 MK1 OE  
Ref: 8032491

**53865**  
Exhaust Box EX120 MK2/3  
OE Ref: 4255658



**53862**  
Exhaust Turbo Pipe EX120 MK2  
OE Ref: 8048818



**53864**  
Exhaust Box EX120-5 MK5  
EX150 MK5 EX165  
OE Ref: 4333182



**53861**  
Exhaust Turbo Pipe EX120  
OE Ref: 8060437



**53870**  
Exhaust Box Hitachi EX60  
MK2/3 OE Ref: 4268214



**53869**  
Exhaust Box Hitachi EX60  
MK5 OE Ref: 4389278

### EX135

**53885**  
Exhaust Box Hitachi EX135  
OE Ref: 71408864



**53860**  
Exhaust Turbo Pipe  
Hitachi EX135  
OE Ref: 71408869



**53878**  
Muffler Pipe Hitachi  
EX60 MK1 MK2 MK3 MK5  
OE Ref: 8032492