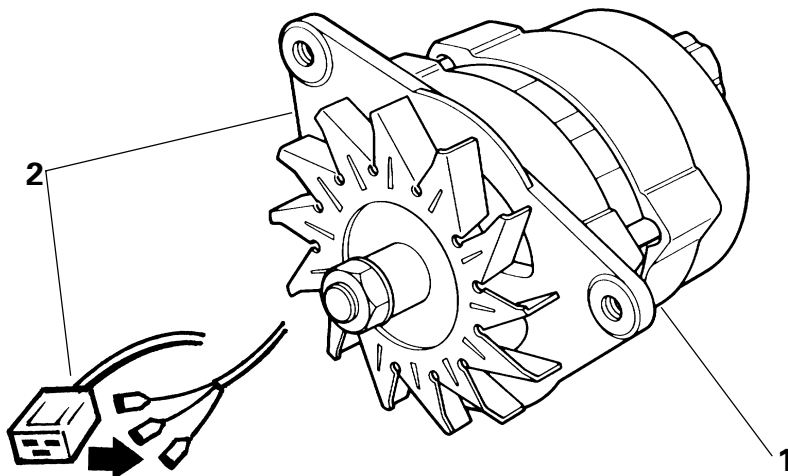


ROTATING ELECTRICS / ALTERNATEURS ET DEMARREURS / ELEKTRISCHE ANLAGE / EQUIPOS ELÉCTRICOS / ELEKTRISKE DELE



i

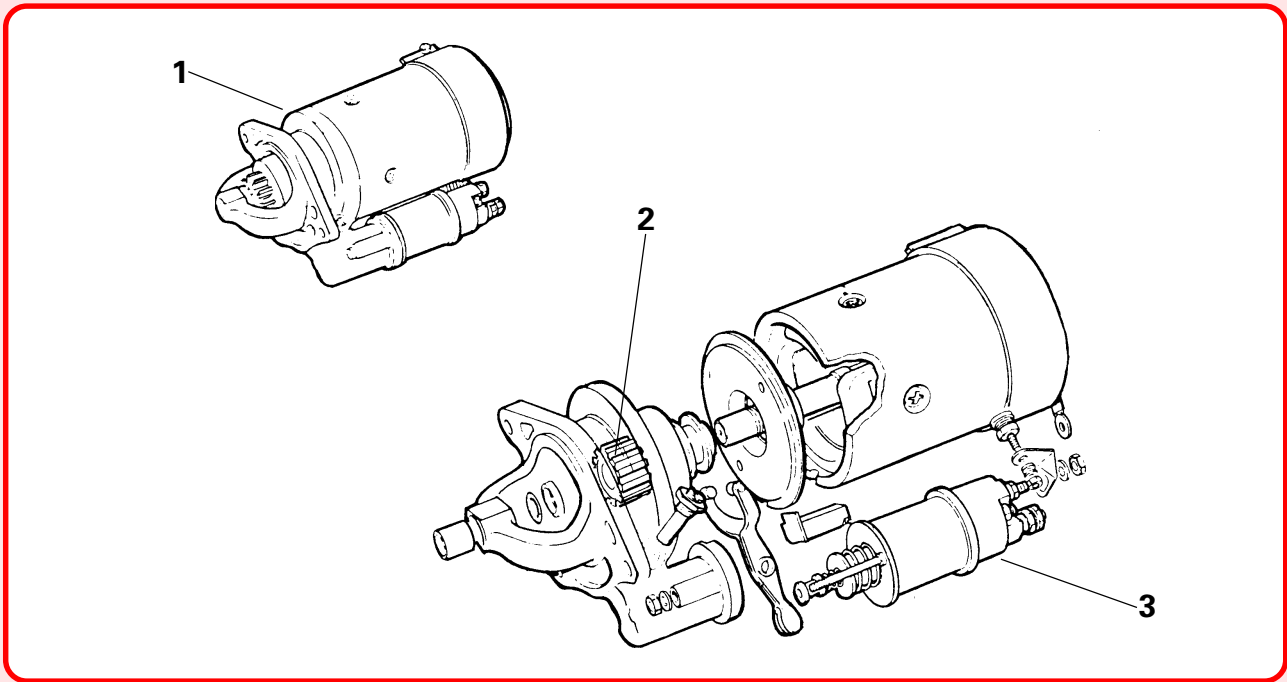
1

2

MF100, 200, 500, 600, MF2000 Series → 137200	55A	3405390M1	-
MF240, 300 Series	45A	3698016M91	-
MF300, 300 ① Series	55A	1897695M91	-
MF300 Series	70A	3760524M91	-
MF3050, 3060, 3065, 3070	70A	3714922M1	3619489M11
MF3085, 3090, 3095, 3115	70A	3714944M1	3619488M00
MF3120, 3125, 3635, 3645, MF3655	70A	3618906M1	3619474M10
MF3670, 3690	70A	3618908M1	3619491M11
MF2000 Series ↳ 137201	55A	3467043M91	-
MF4215, 4220		3760524M91	
MF4225, 4235, 4240, 4245, MF4255, 4260, 4270		3760524M91	
MF4225, 4235, 4240, 4245, MF4255, 4260, 4270		3698016M91	
MF6110 → 6025037	70A	3618907M1	
MF6110 ↳ 6025038	70A	3714922M1	
MF6120, 6130, 6140, 6150	70A	3714922M1	
MF6160 → E036057	70A	3618906M1	
MF6160 ↳ E036058	70A	3714944M1	
MF6170, 6180	70A	3714944M1	
MF6190, 8110, 8120, 8130	70A	3618906M1	
MF8140, 8150, 8160	70AS	3618908M1	
MF8170		71370306	



ROTATING ELECTRICS / ALTERNATEURS ET DEMARREURS / ELEKTRISCHE ANLAGE / EQUIPOS ELÉCTRICOS / ELEKTRISKE DELE



MF135, 148, 152V/S → 165044	3597426M3	1894395M91	3478364M2
MF155, 158, 165 (AD4.203)	↓		
MF230, 235, 240, 245, 250, 253			
MF255, 260, 350, 355, 360, 550,	3763363M91	3901173M91	3901191M1
MF340, 342, 154, 154S/F, 352,	↓		
MF174 → 1214500			
MF184 → 1202059			
MF194 → 1231517			
MF233, 253, 254			
MF362, 362N, 365, 372N, 375,	3763362M91	3901173M91	3901191M1
MF382N, 390, 390T, 398, 399			
MF3085, 3095, 3115, 3120,	3581576M2	3901173M91	3901191M1
MF3125, 3635, 3645, 3655,			
MF3670, 3680, 3690			
MF2000 Series, 3080, 3090,	1618050M4	3473804M91	3473296M91
MF3610, 3630, 3650			
MF4215, 4220	3763363M91		
MF4225, 4235, 4240, 4245,	3763362M91		
MF4255, 4260, 4270, 6110,			
MF6120, 6130, 6140, 6150			
MF6160, 6170, 6180, 6190,	3581576M2		
MF8110, 8120, 8130, 8140,			
MF8150, 8160			

