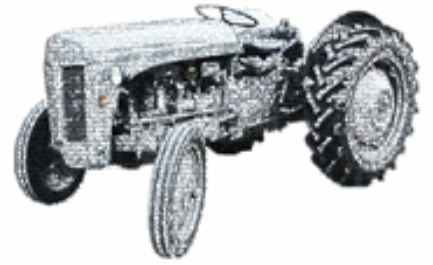




L.O.G Heigl



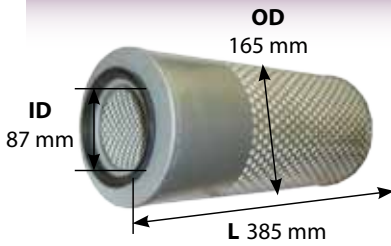
Replacement Parts Suitable for

Valmet

Tractors



Air Filters



52745

Air Filter 44 Valtra Valmet Outer.
00 6000 65 C M XM X A series

OE Ref:V836462568

Cab Air Filters



64448

Cab Air Filter Valmet
& Valtra

OE Ref: 63154700

6349

Air Filter Blizzard Renault Ceres
Outer Late 860 Landini Ghibli
OE Ref: 6005011111



Fuel Filters

51892



Fuel Filter Water Separator
Valtra T Series

OE Ref: 20366577
836862602

51893



Fuel Filter Water Separator
Valtra T140 T150 T160 T170
T190 Valmet NH TVT135 TVT145
TVT155 TVT170 TVT190

OE Ref: 20366577/20366575 /
836862600

51891



Fuel Filter Water Separator
Valmet 6200 6200R 6250 8050
8150 8400 8550 8750
NH M100 M100DT M115
M115DT M135 M135DT M160

OE Ref:836859302/ 87840591

59978



Water Separator Filter John
Deere/Renault 3.6" High
5 micron Renault Ceres/
Valmet Also fits Valmet Valtra
ROUND END



401111S

Fuel Filter Ford TS TM Valmet
Valtra6" High 5 Micron

OE Re87802925
87802927836859302



409665L

Water Separator Ford TM120-190 (30
Mic) Fuel Filter John Deere 4 cyl 6030's
Secondary 6000 Series

409666

Fuel Filter Ford TM120-TM190 5
Micron.

Valtra 00 6000 65 A Series

OE Ref: 87840591

Fuel Filters Continued

4917

Fuel Filter Ford 8360 Massey Ferguson 6400 6" High 5 Micron - Secondary(up to 2004 mode ** NOT for Electric Fuel Lift Pump System **

OE Ref: 26560141



4917S

Fuel Filter Ford 8360 Secondary 64s. 6000 8000 C M N XM series

OE Ref: 26560141 26560139



4918

Fuel Filter Ford 8360 Primary 4.3" High 150 Micron

OE Re87840591836859302



4918S

Fuel Filter Ford 8360 Primary 4.3" High 150 Micron ** Normal Flow ** ** NOT for Electric Fuel Lift Pump System **

OE Ref: 87840591



26560145

Water Separator Filter 6400 150 Micron

OE Ref: 26560145



32327

Fuel Filter 20D 35 65 Length 82.5 OD 71.00 ID 33.5

OE Ref: 1850450M1



1782B

Fuel Filter Massey Ferguson Ford Short 522

OE Ref:836859302 3405418M1



1782

Fuel Filter Massey Ferguson Ford Short 522

OE Ref:8368593023405418M1 3438731M91



26561117G

Fuel Filter Agco Genuine Valtra 00 65 Classic Series

OE Ref:836859302218577A1 3405418M1

Hydraulic Filters

52747

Hydraulic Filter Massey Ferguson
44 Series



104 mm

OE Ref: V836536797

6684R

Hydraulic Filter
8100 3600 6455



165 mm

OE Ref: 3619712M1

6684

Hydraulic Filter 8100
3600 6455 Dyna 4



OE Ref: 3619712M1

6754

Hydraulic Filter 8100 3600



255 mm

OE Ref: 3386701M1

51890

Hydraulic Filter Valmet 6000 6100 6200 6200R 6300 6300LS
6400 6400DW 6400LS 6600 6600E 6800 8000 8000H
8000LS 8100 8100E 8100LS 8120



OE Ref: 20639610/31539610

Engine Oil Filters

1460

Engine Oil Filter Valmet 4 Cyl. Valtra /
Valmet 00 Series 05 Series 15 Series
55 Series 65 Series A Series
Genuine is 52746



OE Ref: 836436246 Valmet

52746

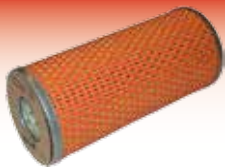
Oil Filter Massey Ferguson 44 Series
Replacement is 1460



OE Ref: V836462576

26560090

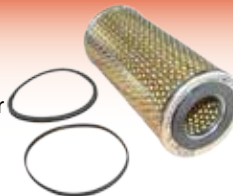
Engine Oil Filter 212 248 Paper**
62247 has Wide Seal ** 155mm
Long 67mm OD
OE Ref: 1881442M91 1882916M1



62247

Engine Oil Filter 20 TVO Paper
Wide Seal TE20D 35 4 Cylinder
Petrol 6" Long. Valtra 00 65
Classic Series

OE Ref: 26560090



62999

Oil Filter
Valtra S series
8470 8480

OE Ref: V836862582



52033

Oil Filter Case CS's ** Fleetguard
Version is 6978**
OE Ref: 836662111



6904

Engine Oil Filter
Valmet 8300 8300T 8600

836336459 Valmet



6978

Engine Oil Filter Valtra Valmet T &
M Series Valtra 6000 8000 Case CS
CVX Series New Holland TVT

OE Ref: 836662580



Clutch Parts

51414

Clutch Assembly Valmet
8050/81-84/85/8750 Release
Bearing 3985 ** Disc is 51415
** Valmet Valtra



51415

Clutch Disc Valmet
8050/81-84/85/8750 14"
Valmet Valtra ** 51414 is
Cover ** 22 Spl



53134

** USE 53788 FULL
REPSET **
Clutch Valtra A72 A75
A82 A85L A92 A95L



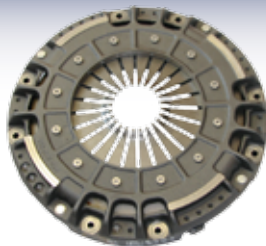
53343

Clutch Disc Valmet
6100 6600 8000 8100
Organic ** Bronze
Disc 51500 ** Cover
51499 * Valtra



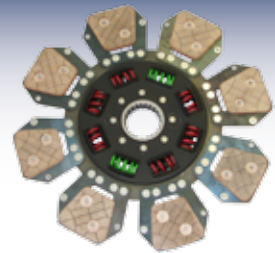
51499

Clutch Assembly Valmet 6100
- 6600 Also fits 8000 - 8100
Valmet Valtra *** Disc to suit is
51500 ** Organic 53343 **



51500

Clutch Disc Valmet
Bronze Valtra
6100 6300 6400 6600
8000 8100



1944L

Clutch Assembly David Brown
996 11" Dual LUK 1190 1200
1210 1212 1290 1294 1390
** 52488 52487 52486 52485
are Repair Kits **
OE Ref: K962949



7812

** USE 42885 KIT **
Valmet/Valtra
55 Series 555
65 Series
465, 565, 665



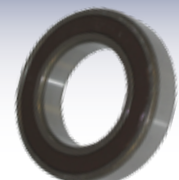
3999

Clutch Release Bearing
Valmet 8050, 81-84, 85, 8750



60082RS

Spigot Bearing
ID 40mm OD 68mm WD 15mm
Valmet 8050, 81-84, 85, 8750





Clutch Parts



53776
CLUTCH ASSEMBLY Valmet 700MKII 900 702 703 802 **
PTO Disc 53780 ** Clutch 53777 **[OE Ref: 31970500](#)



53780
PTO DISC Valmet 600 700 700MKII 900 305 405 365 465
565 665 1103 1203 702 703 802 903 [OE Ref: 814050](#)

53777
CLUTCH RELEASE BEARING
Valmet 700 700MKII 900 1100 1103 1203
702 703 802 903 [OE Ref: 811080](#)



53778
PTO RELEASE BEARING
Valmet 700MKII 900 702 703 802
[OE Ref: 725160](#)



3985
Clutch Release Bearing
John Deere 50's 2 Port
Also Fits Valmet Valtra
6300 6400 8050



53779
Spigot Bearing Valmet 600 700
700MKII 800 900 504 305 405
415 455 555 365 465 565 665
865 [OE Ref: 410009510](#)



53789
CLUTCH ALIGNMENT KIT 32
DOLLIES & 11 SPIGOTS

Specifications - Fast and accurate alignment of the clutch and disc

Benefits - Reduced risk of damage during tractor reassembly

Application - Full clutch alignment kit for tractor applications, covering all major pilot bearing and disc hub sizes

- Suitable for use with CNH, John Deere, Landini, Massey Ferguson, SDF, etc.

Consists of - 32 hub dollies: 14 mm - 45 mm
- 11 spigots: 12 mm, 14 mm, 15 mm, 16 mm, 17 mm, 20 mm, 22 mm, 25 mm, 30 mm, 36 mm, 40 mm





Clutch Parts

Includes LuK Bearings



53774
CLUTCH KIT Valmet 605 705 805 905 655 755 855 6000 6100 6200 6300 6400 6600 6800 6900 8000 8100 Organic Disc
OE Ref: 303430

Includes LuK Bearings



53775
CLUTCH KIT Valmet 605 705 805 905 655 755 855 6000 6100 6200 6300 6400 6600 6800 6900 8000 8100 8 Paddle Disc
OE Ref: 3565200



53781
CLUTCH ASSEMBLY
Valmet 502 504 602 604
OE Ref: 601450



53782
CLUTCH DISC
Valmet 502 504 602 604
** Clutch is 53781 **
OE Ref: 601460

53788
Clutch Kit Valtra 255 305 355 365 405 415 455 465 555 565 600 665 700 800 865 900 A65 A72 Classic A75 A82 Classic A85 A92 Classic A95
OE Ref: V82224610

Includes LuK Bearings



53783
PTO RELEASE BEARING Valmet 255 305 355 365 405 415 455 465 502 504 555 565 600 602 604 655 665 700 800 865 900 A65 A75 A85 A95
OE Ref: V582970



53784
CLUTCH RELEASE BEARING Valmet 255 305 355 365 405 415 455 465 502 504 555 565 600 602 604 655 665 700 800 865 900 A65 A75 A85 A95
OE Ref: V582990



Switches

53627

Switch Light Park-
ing Deutz Valmet
Fendt



53639

Switch Lift & Lower
Valmet 505 605
705 805



Fuel Lift Pumps

53131

Fuel Lift Pump Valmet
Valtra Case CS



2641478

Fuel Lift Pump 165 188 Ford 2000
-7600 2 Stud **Simm's Pump*** OE
Ref: 83912071 83991467



Axle Parts



780159 Ball Joint Renault Ceres 65 70 75 85 95 31 OE Ref:
6005009895



780192

Track Rod End Renault Ceres 65 70 75 85 95 31320 330 340
Cergos 330 340 350 M22x1.5mmRH Valmet Valtra 6000s
8000s Deutz Agroprima 4.3

2897

Front Axle ZF APL325 APL315
Ford 5110 - 8210 Differential Seal
Assembly RH OE Ref: 83934222



64501

Front Axle Seal - Differential
Coupling Valmet
OE Ref: 3665412M1



Ring Gears

64477

Ring Gear Valtra 6000
Series 8000 Series
OE Ref: V835328783



64478

Ring Gear 4435 4445
4455 Valtra 205 305
355 405 415 455
OE Ref: V836014127



Electrical

5146

Starter Zetor UR1 4 Cyl Valtra (RH FIT) Geare 5211 5245 6211 6245
7211 7245 7711 7745 3320 3340 4320 4340 5320 5340 6320 6340
OE Ref: 67115771



52480

Valmet 8000 Series 6000 Series
OE Ref: 87751000



MAHLE
Letrika

52482

Alternator Valtra T Series
OE Ref: 3655838M91



MAHLE
Letrika

52481

Alternator
Valtra N Series 8000 Series 6000 Series
OE Ref: 3655838M91



MAHLE
Letrika

52479

Alternator 65 AMP
Valtra 6000 Series 8000 Series
OE Ref: K302424



MAHLE
Letrika

2666103

Heater Plug Old Type 12v
Screw Type (large hole
20.8mm thread)
OE Ref: 1854040



2666108

Heater Plug with Push On
Connection
OE Ref: 81806046



Brakes



64455
Brake Disc Valtra N Series
C Series 6600 8200 8450
OE Ref: 34401400



64514
Intermediate Brake Disc
Valmet 4435 4445 4455
Valtra N Series C Series 6600
8200 8450 OE Ref: 34123900



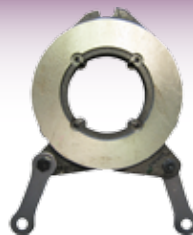
1860964
Brake Disc Wet Bronze 10 Per
Tractor 8.75" 50B 42 Series Early
Type 27 Splines
OE Ref: 1860964M2



1860965
Steel Plate Wet Brakes 6 Per
Tractor 227mm 9" 05 Series,
15 Series, 55 Series, 6000
Series, 65 Series, 8000 Series
OE Ref: 1860965M1



43291
Brake Master Cylinder 05 Series, 55 Series,
C Series, N Series, T Series, N2 Series, Mega
Series, Mezzo Series, TC Series, TF Series, TX
Series
OE Ref: 89509901



1845
Brake Actuator Wet Brake Valtra
/ Valmet 05 Series, 55 Series
6000 Series, 8000 Series
OE Ref: 83909808



1860963
Brake Actuator Wet Brake Valtra
/ Valmet 05 Series, 55 Series
, 6000 Series, 8000 Series
OE Ref: F29630400

PTO

64473
PTO Plate Valtra Valmet 6000 6100
6200 6250 6250HT 6300 6350 6400
6505 6600 6750 6750HT 6800
6910 8000 8050 8050HT 8100 8150
8150HT OE Ref: V70029600



64474
PTO Plate Valtra Valmet 6000 6100
6200 6250 6250HT 6300 6350 6400
6505 6600 6750 6750HT A75 A85 A95
T120 T140 T150 T160 T170 T180 T190
6800 6910 8000 8050 8050HT 8100
8150
OE Ref: V32618700



Hydraulic Pumps

53130

Hydraulic Pump Valmet
6000 6100 6200 6300 6400
6600 6800 6900 8000 8100
8200 8400 From Serial Num
658900 8050 8150 8450 8550
Output 25 + 8 cm³



53129

Hydraulic Pump Valmet 6000
6100 6200 6300 6400 6600
6800 6900 8000 8100 8200
8400 Output 23.5 + 6 cm³
Valtra



62994

Hydraulic Pump Valmet
Smaller A Series 205 305
405 365 465 565 665
Valtra



53135

Hydraulic Pump Valmet
6000 6100 6200 6300 640
6600 6800 8000 8100 8200
8400 8150 8450 8550 8750
25 + 11cm³ Valtra



Water Pumps

53375

Water Pump Valmet 6900 8000
8050 8050H 8150 8200 8400 Valtra



Viscous Fans

53618

Viscous Fan Valmet T120 T130 T140 T150
T160 T170 T180 T190
OE Ref: [836864264](#)



Stabilisers

52867

Stabiliser Valtra Valmet T Series 490mm long



Leveling Boxes



53806

Levelling Box Valmet
502 504 602 604 14
3/4 Inch



53804

Levelling Box Valmet 702
703 802 803 903



53805

Levelling Box Valmet 6000
6100 6300 6400 505 605
8000 8100

Lift Rods

53414

Lift Rod Valtra N Series T
Series 8050 8550



64479

Head Lamp Valtra A Series C
Series M Series N Series T Series
OE Ref: V34203600

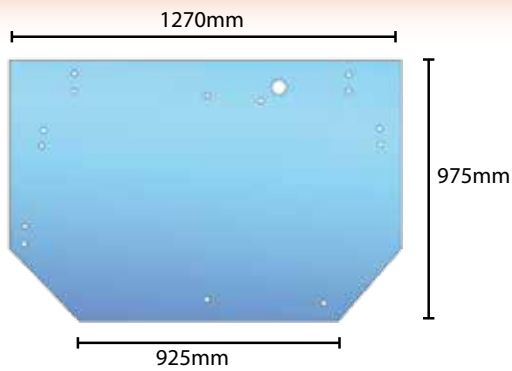


64480

Right Hand Head Lamp Cowl Valtra A/C/M/N/T Series
OE Ref: V34594600

64481

Left Hand Head Lamp Cowl
OE Ref: V34594500



53168

Glass Valtra Rear Window 6000 8000 M120 130 6000 8000 M120
130 Valmet 150 X100 110 120 XM130 150 T Series



64440

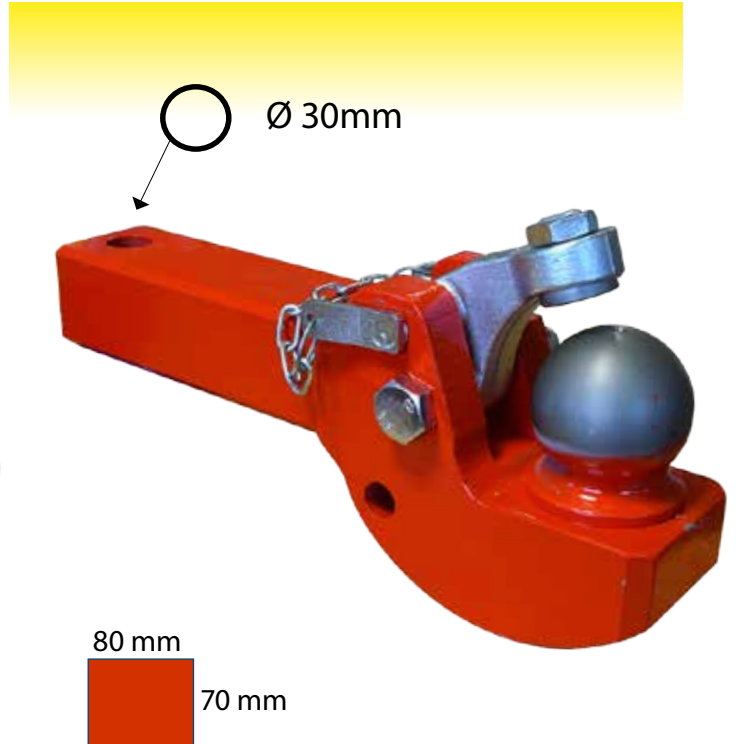
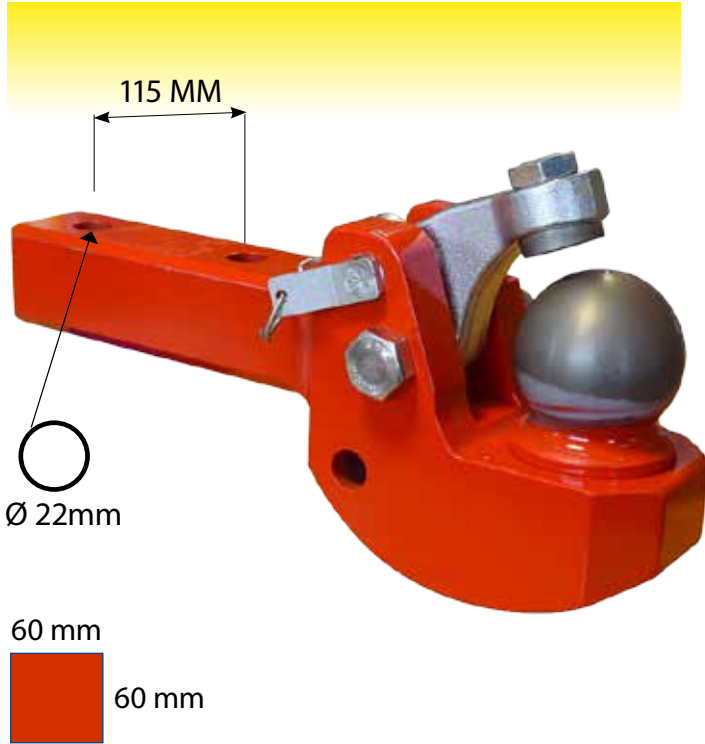
Door Gas Strut Valtra T Series N Series M Series
OE Ref: V31517920

64463

Door Handle 4435 4445 4455 Valtra 365
465 565 6000 6100 6200 6250 6300 6350
6400 6550 6600 6650
OE Ref: V45218400



K80 RANGE



58883

OE Ref: 00.421.10.2-A20

Claas: Ares 500/600 Arion 500/600

Fendt: Vario 200/300

John Deere: 7010, 8000

Massey Ferguson: 5600 6445-6480 7600

58884

OE Ref: 00.429.00.2-A20

Claas: Axion 800/900

Fendt: Vario 700/800/900

John Deere: 8030/8R

Massey Ferguson: 6485-6499, 6485-6499, 7624, 7626, 8200: 8210, 8280; 8400

McCormick: MTX: 165, 175, 185;

Valtra: S-Series

INTERCHANGEABLE WITH

DRSP30033
oe ref: L156433



INTERCHANGEABLE WITH

DRP47902
oe ref: L156433



58837

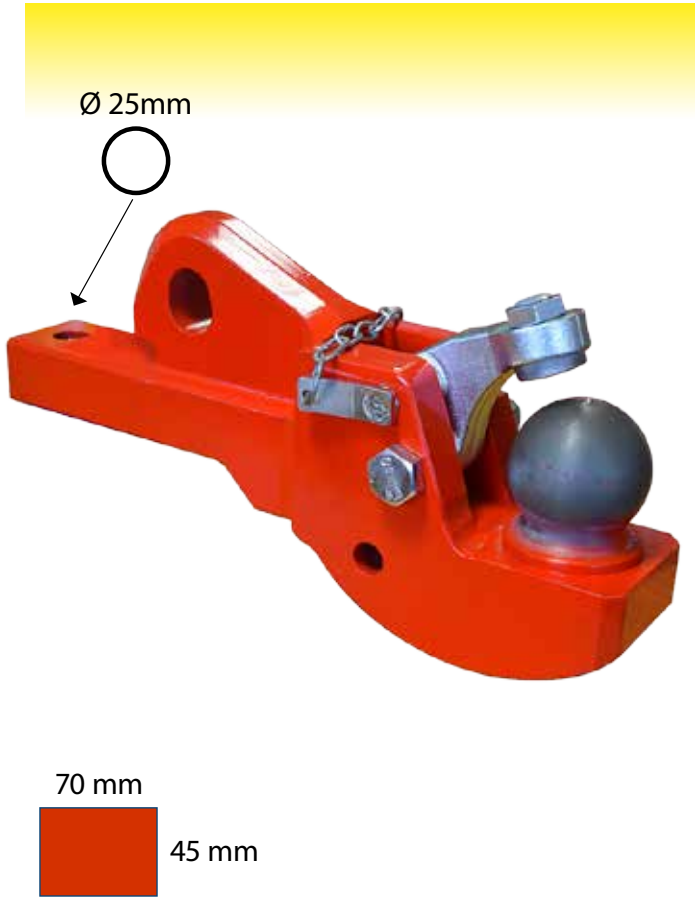
Oe Ref: 00.651.90.0-A01

K80 Weld On Spoon Universal

80 mm
60 mm



**ALLOWS TRANSMISSION OF HIGHER VERTICAL LOADS
 PLAY - FREE CONNECTION, ELIMINATES RATTLE
 GREATER ANGULAR MANEUVERABILITY
 QUIETER TOWING
 NO UPWARD MOVEMENT FOR TIPPING TRAILERS - RESULTS IN LESS WEAR**



53829

Oe Ref: 00.652.90.0-A02



K80 Towing Spoon 110 x 100mm

53828
K80 Weld On Plate
110 x 100mm



53853
Bolt Kit
M16 x 60mm
10.9 Strength



58886

Oe Ref: 00.428.00.5-A20

John Deere: 6010, 6020, 6130, 6R, 7020, 7030, 8010, 8020, 8030

**INTERCHANGEABLE
 WITH**

DRP00515
oe ref: L156433,
AL159328

DRP82406
oe ref: AL159328,
L156433



53827

Ref: 00.650.90.1-A02



K80 Towing Spoon 145 x 145mm

53830
K80 Weld On Plate
145 x 145mm
OE REF:
00.645.00.0



53854
Bolt Kit M20 x 80mm
10.9 Strength

