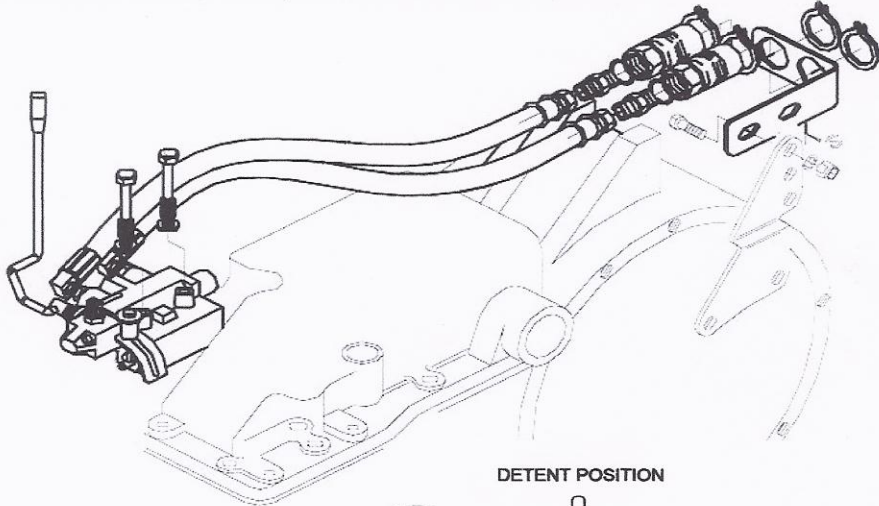


FOR MASSEY FERGUSON TRACTORS SINGLE & DOUBLE ACTING HYDRAULIC VALVE



YCH01-100

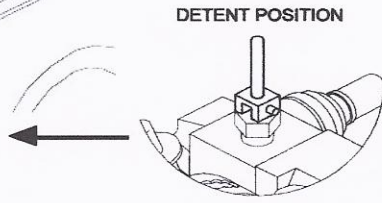
ONLY VALVE

YCH01-110

**COMPLETE KIT
VALVE +HOSES+
QUICK COUPLING+
BRACKET+FASTENERS**

SINGLE ACTING

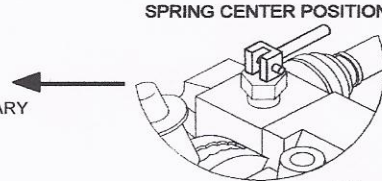
IN THIS POSITION THE VALVE CONTINUOUSLY OIL PUMPING FOR EXAMPLE : TRAILER TIPPING



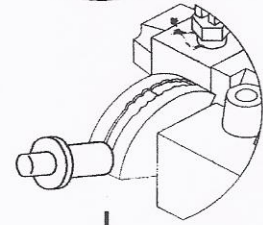
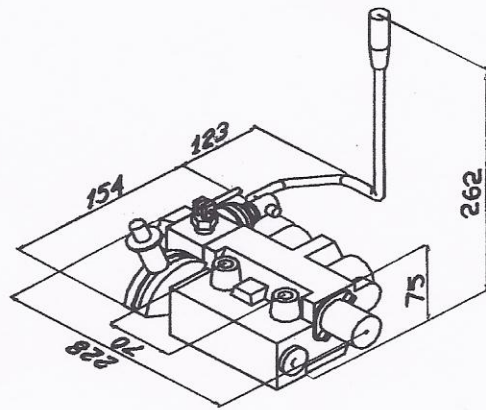
DETENT POSITION

DOUBLE ACTING

IN THIS POSITION THE VALVE IS PUMPING OIL WHEN IT IS NECESSARY FOR EXAMPLE : FORE & END LOADER TRAILER BRAKES

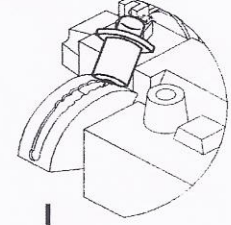


SPRING CENTER POSITION



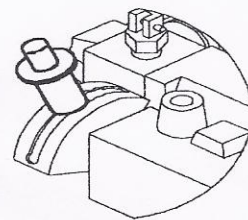
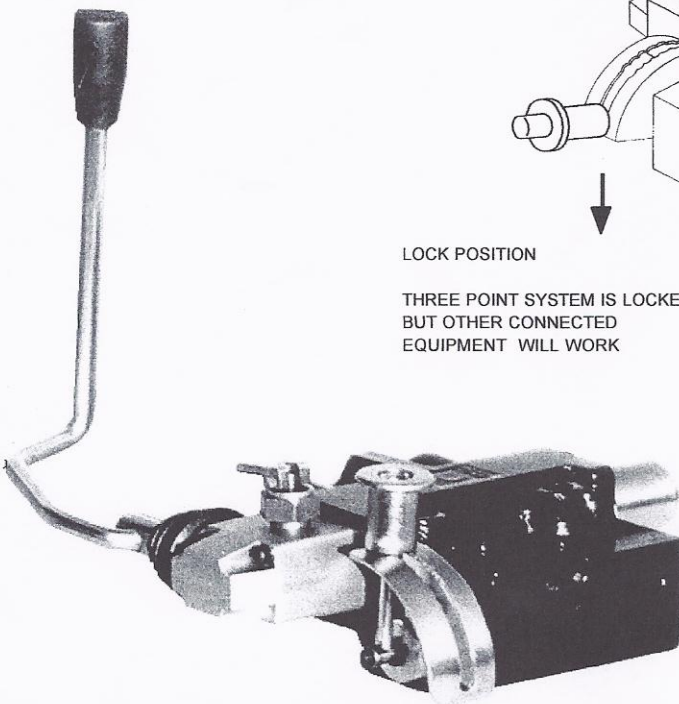
LOCK POSITION

THREE POINT SYSTEM IS LOCKED BUT OTHER CONNECTED EQUIPMENT WILL WORK



UNLOCK POSITION

THREE POINT SYSTEM AND OTHER CONNECTED EQUIPMENT WILL WORK



MIDDLE POSITION

THREE POINT SYSTEM WILL WORK ACCORDING SELECTED SPEED ALL OTHER CONNECTED EQUIPMENT WILL WORK WITH STANDART SPEED