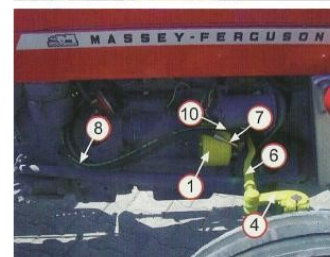
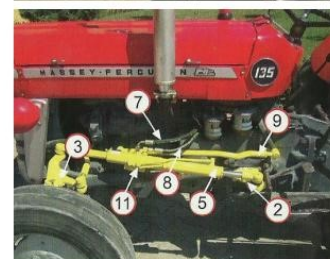


ASSEMBLY INSTRUCTIONS

135 POWER STEERING CONVERSION KIT ASSEMBLY

1. Install the hydraulic pump/ Mount steering pump to engine
2. Fit the steering ram bracket to engine
3. Mount the left side double top arm
(top arm is aligned to the original axle)
4. Mount the right side double top arm
(top arm is aligned to the original axle)
5. Install the steering ram
6. Install the rod from steering box arm to the steering ram
7. Fit the inlet hose
8. Fit the outlet hose
9. Install the long rod between the left hand and right hand front wheel
10. Fill the oil using SAE no.10 or 20
11. Start the engine, check oil level and add more if necessary
12. Relief valve is already adjusted

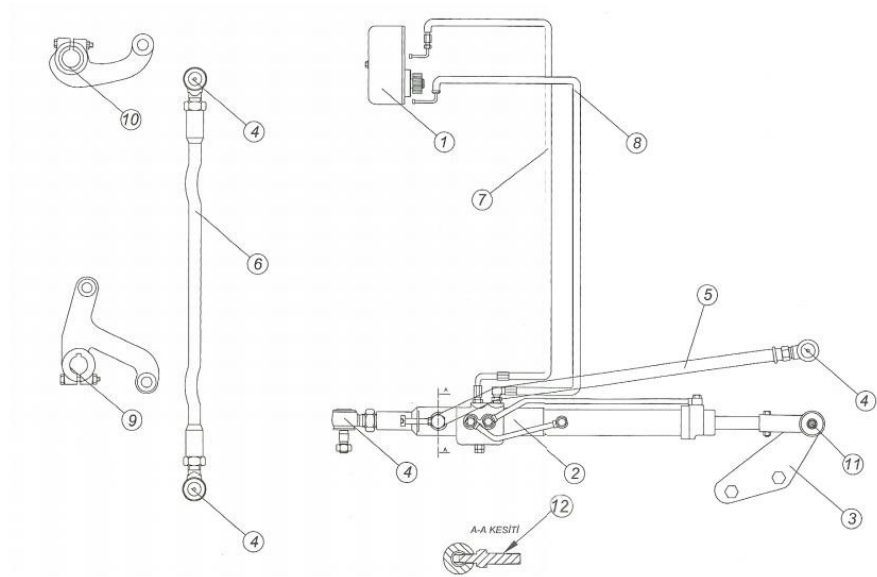


www.qtponline.com

Email
info@qtponline.com
Telephone
00 353 44 934 1638



ASSEMBLY INSTRUCTIONS



- | | |
|---|-----------------------------|
| 1. Hydraulic pump | 7. Supply Feed ram |
| 2. Steering ram | 8. Return feed steering ram |
| 3. Cylinder mounting bracket | 9. Left hand top arm |
| 4. Track rod end | 10. Right hand top arm |
| 5. Steering arm link | 11. Track rod end |
| 6. Connection drag link Left hand to right hand | 12. Control Shaft |

www.qtponline.com

Email
info@qtponline.com
Telephone
00 353 44 934 1638